

DELABIE

Water Controls
for Professional Catering



DELABIE



ACS

Certificate of Sanitary Conformity.
All DELABIE products conform to the CPDW* directive modified 29/05/1997, and the French Ministry of Health circular DGS/SD7A2002 no. 571 dated 25/11/2002.

* Construction Products in Contact with Drinking Water (European Commission).

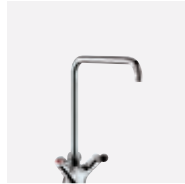


DELABIE



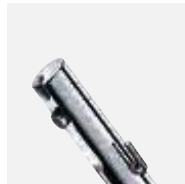
SINGLE HOLE PRE-RINSE MIXERS	4
TWIN HOLE PRE-RINSE MIXERS.....	12
WALL-MOUNTED PRE-RINSE MIXERS/TAPS.....	14
ADDITIONAL FITTINGS FOR COMMERCIAL KITCHENS.....	17

**PRE-RINSE
SPRAYS
3**



DECK-MOUNTED MIXERS/TAPS.....	22
WALL-MOUNTED MIXERS/TAPS	32
MIXERS WITH RETRACTING HAND SPRAY	35
SPOUTS.....	36

**COMMERCIAL
KITCHEN CONTROLS
21**



ELECTRONIC CONTROLS.....	41
KNEE OR FOOT-OPERATED CONTROLS	56

**NON-CONTACT
CONTROLS
39**



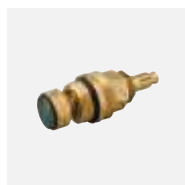
STAINLESS STEEL SANITARY WARE.....	60
WATER FOUNTAINS.....	62
SERVICE TAPS.....	64

**SPECIALIST
PRODUCTS
59**



ADDITIONAL FITTINGS FOR COMMERCIAL KITCHENS.....	68
GROUP THERMOSTATIC MIXING VALVES.....	70
FLOOR TRAPS.....	71
SOAP DISPENSERS.....	72

**ADDITIONAL
FITTINGS
67**



SPARE PARTS.....	76
STANDARDS.....	80
REFERENCE INDEX.....	82

**MAINTENANCE
STANDARDS
INDEX
75**



Pre-rinse mixers and taps with flexible hose and hand spray

SINGLE HOLE
PRE-RINSE MIXERS
8



TWIN HOLE
PRE-RINSE MIXERS
12



WALL-MOUNTED
PRE-RINSE MIXERS
14



PRE-RINSE CONTROLS
& ADDITIONAL
FITTINGS
16

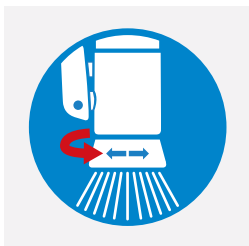




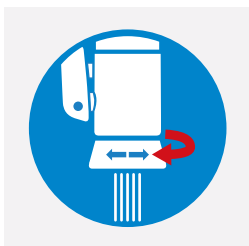
Long Life valve head with an ergonomic ball lever



Full flow rate within the first 90°



Hand spray - rain effect



Hand spray – concentrated jet



SPECIFICALLY DESIGNED FOR INTENSIVE, PROFESSIONAL USE

Subject to intensive use in professional kitchens, the catering industry and for fish preparation, etc., pre-rinse sprays must be robust and reliable. Specifically designed to withstand high stress loads, DELABIE's pre-rinse sprays are also functional, easy to handle, and ensure effective filling and cleaning.

Superior durability and endurance

All DELABIE's pre-rinse sprays are quality-controlled and tested under extreme conditions to ensure their durability. They are ideal for intensive use, particularly during busy periods in the kitchen.

Long Life valve head

Thanks to its exclusive quality features, DELABIE's water-free guided valve head - specifically designed for intensive use - provides [the mechanism with enhanced durability](#) and a [smooth operation](#) (see page 22).

Extremely robust spout and control levers

Unlike most spouts available on the market, the spout mechanism used for the Commercial Kitchen range for intensive use, is [manufactured from a piece of solid brass](#) which makes it extremely robust. DELABIE's spouts are [1.25mm thick](#), ensuring better resistance to knocks from pans. The [ball levers](#) are [shock-resistant](#), specifically designed to withstand impacts.

High performance flexible hose

The flexible hose on the pre-rinse assembly is reinforced with Hytrel, [a material that will withstand pressure up to 5 bar and temperatures up to 70°C](#). It has a non-crease, anti-fouling coating as well as a [PVC sheath](#) on the stress area and an anti-torsion rotating nut.

Reliable

DELABIE's pre-rinse sprays are fitted with [extremely reliable mechanisms](#). They are made from [scale and corrosion resistant](#) materials.

The mechanisms will withstand the high temperatures in professional kitchens, which can reach 90°C.

Easy to use

Ergonomic ball levers

The Bakelite ball levers are easy to operate.

Practical spouts

The raised spouts can [swivel](#), allowing large pans to be placed beneath for filling. Work surfaces are therefore freed up for greater freedom of movement.

Rapid-fill and effective cleaning

The pre-rinse sprays fill pans and plunge sinks quickly. Thanks to the rapid-turn valve head, [full flow rate is achieved within the first 90°](#).

The outlet flow rate is 25 lpm at 3 bar.

The shape and intensity of the hand spray jet can be adjusted: [rain effect](#) for rinsing dirty dishes and a [concentrated jet](#) to remove baked-on food.

Maximum hygiene

Hand spray nozzle with no grid

The hand sprays are fitted with a [scale-resistant diffuser](#) (the nozzle has no grid) reducing water retention, impurity build-up and preventing the spread of germs.

Made from Hostaform® (a scale-resistant material), DELABIE's flow straightener reduces scale build-up and ensures the quality of the water jet, maintaining a laminar flow over time. It reduces the frequency of descaling.

Food-grade flexible hose

The flexible hose on the pre-rinse spray is high-performance, food-grade quality PN 10, the flexible hose assembly conforms to European directive 2007/19/CE. Its smooth surface reduces the risk of bacterial development and is easy to clean.

Column and spout with smooth interior

The column and spout have a smooth interior which limits bacterial adherence and growth.

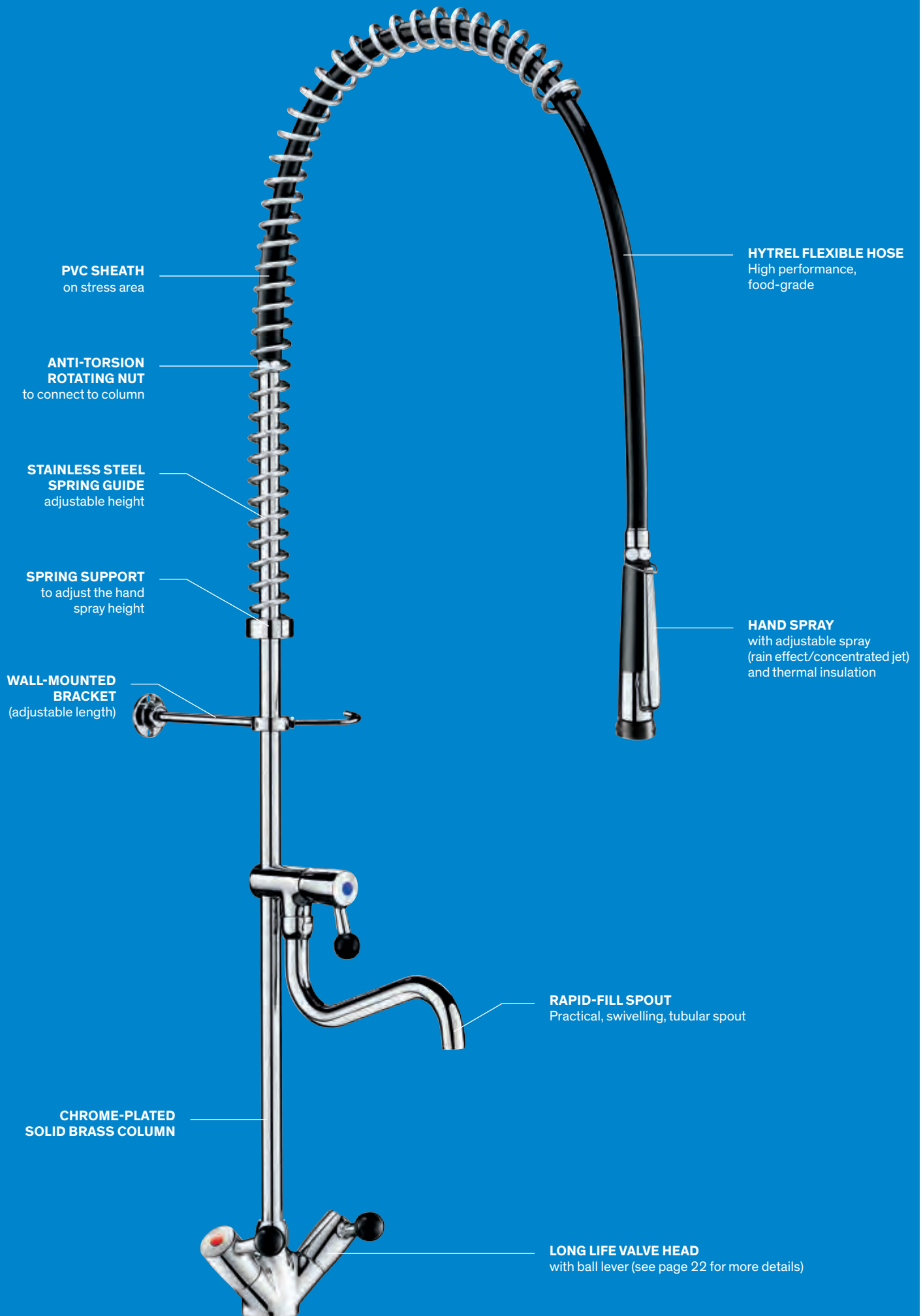
AND ALSO...

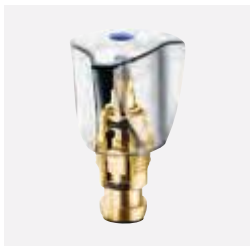
Easy to maintain

Spare parts are standardised so that maintenance staff can quickly and easily exchange them.

10-year warranty

against any manufacturing defects.

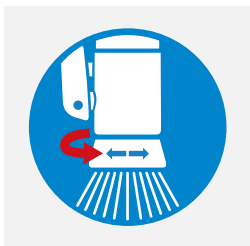




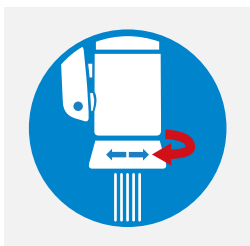
Water-free valve head with control knob



Full flow in 1/2 turn



Hand spray – rain effect



Hand spray – concentrated jet



SPECIFICALLY DESIGNED FOR PROFESSIONAL USE

Superior durability and endurance

All DELABIE's pre-rinse sprays are quality-controlled and tested under extreme conditions to ensure their durability under stress.

Water-free valve head

Thanks to its exclusive quality features, DELABIE's water-free valve head that is fitted to the Commercial Kitchen range, provides **the mechanism with enhanced durability** and a **smooth operation**: no sign of wear after **200,000 operations** (see page 24).

Robust spout

The Commercial Kitchen range of spouts for professional use, is provided with reinforced fixings for the base which ensures the spout is held in place correctly.

DELABIE's spouts are **1.25mm thick**, ensuring better resistance to knocks from pans.

High performance flexible hose

The flexible hose on the pre-rinse assembly is reinforced with Hytrel, **a material that will withstand pressure up to 5 bar and temperatures up to 70°C**.

It has a non-crease, anti-fouling coating as well as a **PVC sheath** on the stress area and an anti-torsion rotating nut.

Reliable

DELABIE's pre-rinse sprays are fitted with **extremely reliable mechanisms**. They are made from **scale and corrosion resistant** materials.

The mechanisms will withstand the high temperatures in professional kitchens, which can reach 90°C.

Easy to use

The rapid-fill spout is **telescopic and can swivel**, allowing large pans to be placed beneath for filling. Works surfaces are therefore freed up for greater freedom of movement.

Rapid-fill and effective cleaning

The pre-rinse sprays fill pans and plunge sinks quickly. The outlet flow rate is 25 lpm at 3 bar. The shape and intensity of the hand spray jet can be adjusted: **rain effect** for rinsing dirty dishes and a **concentrated jet** to remove baked-on food.

Maximum hygiene

Hand spray nozzle with no grid

The hand sprays are fitted with a **scale-resistant diffuser** (the nozzle has no grid) reducing water retention, impurity build-up and preventing the spread of germs.

Made from Hostaform® (a scale-resistant material), DELABIE's flow straightener reduces scale build-up and ensures the quality of the water jet, maintaining a laminar flow over time. It reduces the frequency of descaling.

Food-grade flexible hose

The flexible hose on the pre-rinse spray is high-performance, food-grade quality PN 10, the flexible hose assembly conforms to European directive 2007/19/CE. Its smooth surface reduces the risk of bacterial development and is easy to clean.

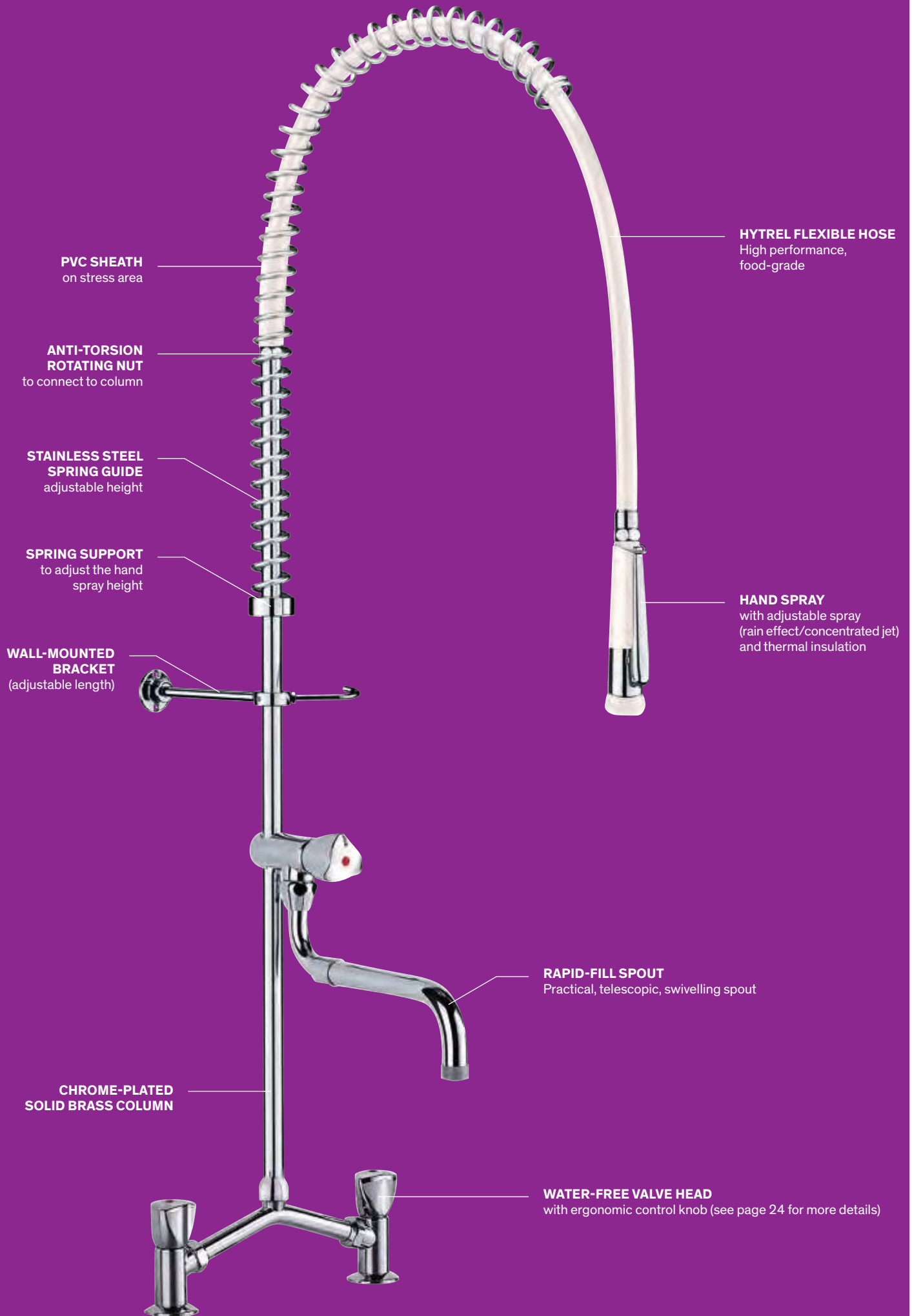
AND ALSO...

Easy to maintain

Spare parts are standardised so that maintenance staff can quickly and easily exchange them.

10-year warranty

against any manufacturing defects.



PVC SHEATH
on stress area

**ANTI-TORSION
ROTATING NUT**
to connect to column

**STAINLESS STEEL
SPRING GUIDE**
adjustable height

SPRING SUPPORT
to adjust the hand
spray height

**WALL-MOUNTED
BRACKET**
(adjustable length)

HYTREL FLEXIBLE HOSE
High performance,
food-grade

HAND SPRAY
with adjustable spray
(rain effect/concentrated jet)
and thermal insulation

RAPID-FILL SPOUT
Practical, telescopic, swivelling spout

**CHROME-PLATED
SOLID BRASS COLUMN**

WATER-FREE VALVE HEAD
with ergonomic control knob (see page 24 for more details)

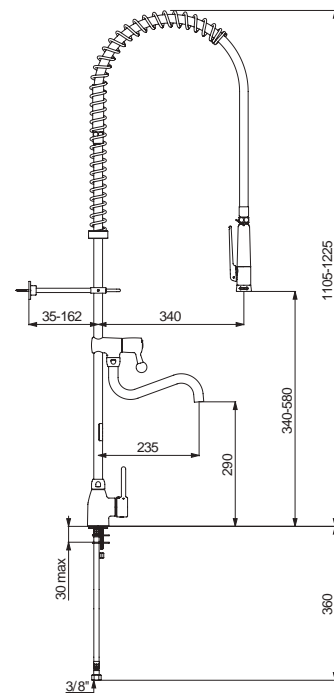


- **Superior durability and endurance:** Long Life valve head, extremely robust spout and control levers, high performance flexible hose
- **Easy to use:** ergonomic controls and swivelling, tubular spout
- **Rapid-fill:** 25 lpm full flow rate achieved within the first 90°
- **Hygiene:** nozzle fitted with a scale-resistant diffuser; column, flexible and spout with smooth interiors to reduce bacterial growth

Single hole pre-rinse mixer with hand spray



- Complete pre-rinse set with 3/4" brass column.
- Deck-mounted, single hole mixer with slimline control lever. Supplied with F3/8" flexible connectors and non-return valves.
- Bib tap with:
 - **Swivelling, tubular spout** L. 200mm.
 - 25 lpm full flow rate achieved within the first 90°.
 - **Valve head with reinforced mechanism** with ergonomic control lever.
- **Black, scale-resistant M1/2" hand spray with adjustable jet** and **9 lpm flow rate** at the outlet.
- Black, reinforced, food-grade flexible hose L. 0.95m.
- Adjustable wall bracket.
- Stainless steel spring guide.



5625

Single hole pre-rinse mixer with hand spray	
With bib tap	5625
Without bib tap	5626
1.20m flexible hose available on request	

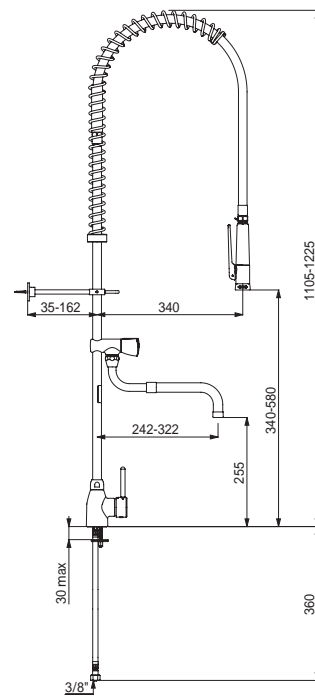


- **Superior durability and endurance:** water-free valve head, robust spout and high performance flexible hose
- **Easy to use:** telescopic, swivelling rapid-fill spout
- **Rapid-fill:** 25 lpm full flow rate achieved within ½ turn
- **Hygiene:** nozzle fitted with a scale-resistant diffuser

Single hole pre-rinse mixer with hand spray



- Complete pre-rinse set with ¾" brass column.
- Deck-mounted, single hole mixer with slimline control lever. Supplied with F¾" flexible connectors and non-return valves.
- Bib tap with:
 - **Telescopic, swivelling spout** L. 200 - 290mm with 25 lpm flow rate at the outlet.
 - Valve head with control knob.
- **White, scale-resistant M½" hand spray with adjustable jet** and **9 lpm flow rate** at the outlet.
- White, reinforced, food-grade flexible hose L. 0.95m.
- Adjustable wall bracket.
- Stainless steel spring guide.



6692

Single hole pre-rinse mixer with hand spray	
With bib tap	6692
Without bib tap	6693
1.20m flexible hose available on request	

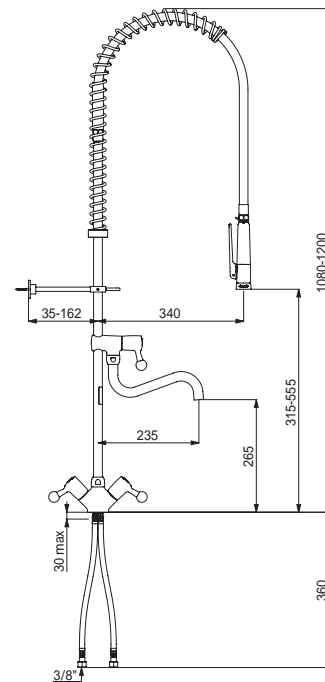


- **Superior durability and endurance:** Long Life valve head, extremely robust spout and control levers, high performance flexible hose
- **Easy to use:** ergonomic controls and swivelling, tubular spout
- **Rapid-fill:** 25 lpm full flow rate achieved within the first 90°
- **Hygiene:** nozzle fitted with a scale-resistant diffuser; column, flexible and spout with smooth interiors to reduce bacterial growth

Single hole pre-rinse mixer with hand spray



- Complete pre-rinse set with 3/4" brass column.
- Deck-mounted, single hole mixer with:
 - **Valve heads with reinforced mechanisms** with ergonomic control levers.
 - F3/8" flexible connectors and non-return valves.
 - Reinforced fixing via two threaded rods and back-nuts.
- Bib tap with:
 - **Swivelling, tubular spout** L. 200mm.
 - 25 lpm full flow rate achieved within the first 90°.
 - **Valve head with reinforced mechanism** with ergonomic control lever.
- **Black, scale-resistant M1/2" hand spray with adjustable jet** and **9 lpm flow rate** at the outlet.
- Black, reinforced, food-grade flexible hose L. 0.95m.
- Adjustable wall bracket.
- Stainless steel spring guide.



5632

Single hole pre-rinse mixer with hand spray	
With bib tap	5632
Without bib tap	5630
1.20m flexible hose available on request	

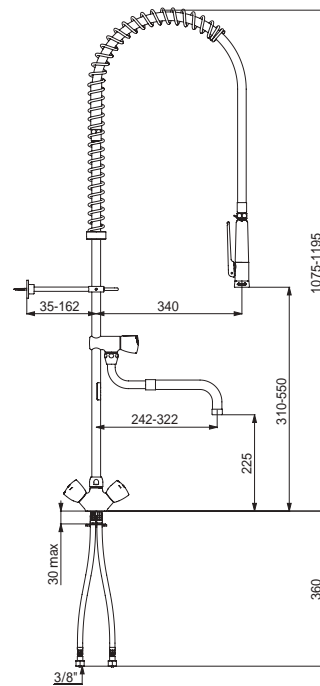


- **Superior durability and endurance:** water-free valve head, robust spout and high performance flexible hose
- **Easy to use:** telescopic, swivelling rapid-fill spout
- **Rapid-fill:** full flow rate achieved within ½ turn
- **Hygiene:** nozzle fitted with a scale-resistant diffuser

Single hole pre-rinse mixer with hand spray



- Complete pre-rinse set with ¾" brass column.
- Deck-mounted, single hole mixer with:
 - Valve heads with control knobs.
 - F¾" flexible connectors and non-return valves.
 - Reinforced fixing via two threaded rods and back-nuts.
- Bib tap with:
 - **Telescopic, swivelling spout** L. 200 - 290mm with 25 lpm flow rate at the outlet.
 - Valve head with control knob.
- **White, scale-resistant M½" hand spray with adjustable jet** and **9 lpm flow rate** at the outlet.
- White, reinforced, food-grade flexible hose L. 0.95m.
- Adjustable wall bracket.
- Stainless steel spring guide.



G6632

Single hole pre-rinse mixer with hand spray	
With bib tap	G6632
Without bib tap	G6633
1.20m flexible hose available on request	



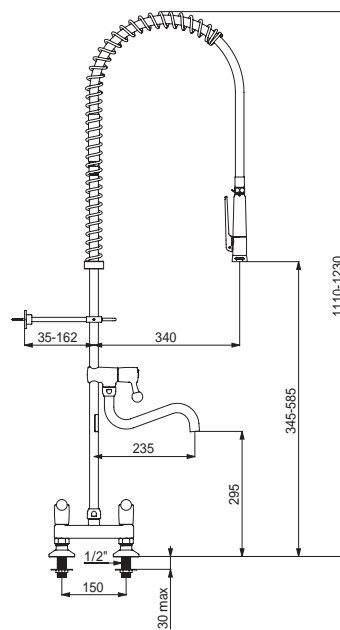
- **Superior durability and endurance:** Long Life valve head, extremely robust spout and control levers, high performance flexible hose
- **Easy to use:** ergonomic control levers and swivelling, tubular spout
- **Rapid-fill:** 25 lpm full flow rate achieved within the first 90°
- **Hygiene:** nozzle fitted with a scale-resistant diffuser; column, flexible and spout with smooth interiors to reduce bacterial growth

Twin hole pre-rinse mixer with hand spray



- Complete pre-rinse set with 3/4" brass column.
- Deck-mounted, twin hole mixer with 150mm centres includes:
 - **Valve heads with reinforced mechanisms** with ergonomic control levers.
 - Offset inlet connections with M1/2" tails.
- Bib tap with:
 - **Swivelling, tubular spout** L. 200mm.
 - 25 lpm full flow rate achieved within the first 90°.
 - **Valve head with reinforced mechanism** with ergonomic control lever.
- **Black, scale-resistant M1/2" hand spray with adjustable jet** and **9 lpm flow rate** at the outlet.
- Black reinforced, food-grade flexible hose L. 0.95m.
- Adjustable wall bracket.
- Stainless steel spring guide.

These pre-rinse sets can be installed close to the splashback.



5633

Twin hole pre-rinse mixer with hand spray

With bib tap	5633
Without bib tap	5680

[1.20m flexible hose available on request](#)



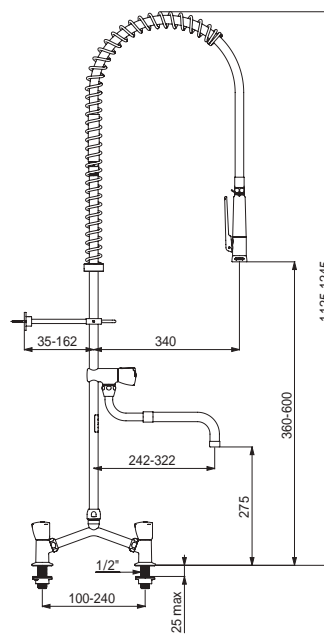
- **Superior durability and endurance:** water-free valve head, robust spout and high performance flexible hose
- **Easy to use:** telescopic, swivelling rapid-fill spout
- **Rapid-fill:** full flow rate achieved within ½ turn
- **Hygiene:** nozzle fitted with a scale-resistant diffuser

Twin hole pre-rinse mixer with hand spray



- Complete pre-rinse set with ¾" brass column.
- Deck-mounted, twin hole mixer with adjustable centres 100 – 240mm includes:
 - Valve heads with control knobs.
 - Offset inlet connections with M½" tails.
- Bib tap with:
 - **Telescopic, swivelling spout** L. 200 - 290mm with 25 lpm flow rate at the outlet.
 - Valve head with control knob.
- **White, scale-resistant M½" hand spray with adjustable jet** and **9 lpm flow rate** at the outlet.
- White, reinforced, food-grade flexible hose L. 0.95m.
- Adjustable wall bracket.
- Stainless steel spring guide.

These pre-rinse sets can be installed close to the splashback.



G6532

Twin hole pre-rinse mixer with hand spray	
With bib tap	G6532
Without bib tap	G6533
1.20m flexible hose available on request	

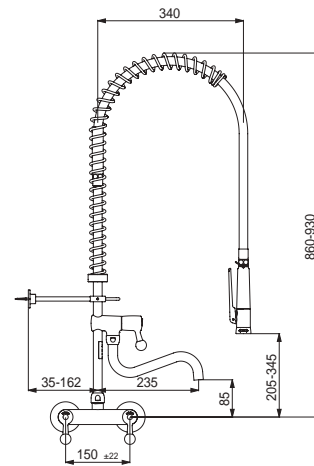


- **Superior durability and endurance:** Long Life valve head, extremely robust spout and control levers, high performance flexible hose
- **Easy to use:** ergonomic control levers and swivelling, tubular spout
- **Rapid-fill:** 25 lpm full flow rate achieved within the first 90°
- **Hygiene:** nozzle fitted with a scale-resistant diffuser; column, flexible and spout with smooth interiors to reduce bacterial growth

Wall-mounted pre-rinse mixer with hand spray



- Complete pre-rinse set with 3/4" brass column.
- Wall-mounted mixer, F3/4" with adjustable centres includes:
 - **Valve heads with reinforced mechanisms** with ergonomic control levers.
 - Offset connectors M1/2" M3/4" (see page 69).
 - Non-return valves integrated in the mixer.
- Bib tap with:
 - **Swivelling, tubular spout** L. 200mm.
 - 25 lpm full flow rate achieved within the first 90°.
 - **Valve head with reinforced mechanism** with ergonomic control lever.
- **Black, scale-resistant M1/2" hand spray with adjustable jet** and **9 lpm flow rate** at the outlet.
- Black, reinforced, food-grade flexible hose L. 0.95m.
- Adjustable wall bracket.
- Stainless steel spring guide.



5634

Wall-mounted pre-rinse mixer with hand spray	
With bib tap	5634
Without bib tap	5636
1.20m flexible hose available on request	

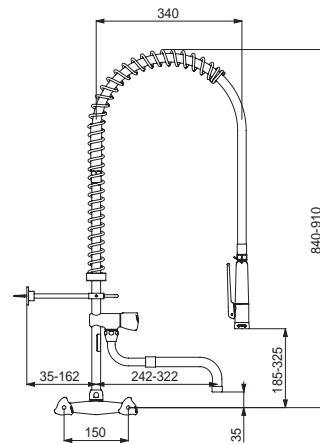


- **Superior durability and endurance:** water-free valve head, robust spout and high performance flexible hose
- **Easy to use:** telescopic, swivelling rapid-fill spout
- **Rapid-fill:** full flow rate achieved within ½ turn
- **Hygiene:** nozzle fitted with a scale-resistant diffuser

Wall-mounted pre-rinse mixer with hand spray



- Complete pre-rinse set with ¾" brass column.
- Wall-mounted mixer, F¾" with 150mm centres includes:
 - Valve heads with control knobs.
 - Non-return valves integrated in the mixer.
- Bib tap with:
 - **Telescopic, swivelling spout** L. 200 - 290mm with 25 lpm flow rate at the outlet.
 - Valve head with control knob.
- **White, scale-resistant M½" hand spray with adjustable jet** and **9 lpm flow rate** at the outlet.
- White, reinforced, food-grade flexible hose L. 0.95m.
- Adjustable wall bracket.
- Stainless steel spring guide.



G6432

Wall-mounted pre-rinse mixer with hand spray	
With bib tap	G6432
Without bib tap	G6433

Option: wall connectors (see page 69)
1.20m flexible hose available on request

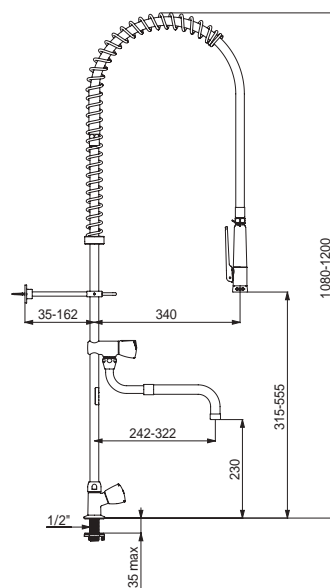


- **Superior durability and endurance:** water-free valve head, robust spout and high performance flexible hose
- **Easy to use:** telescopic, swivelling rapid-fill spout
- **Rapid-fill:** full flow rate achieved within ½ turn
- **Hygiene:** nozzle fitted with a scale-resistant diffuser

Pre-rinse pillar tap with hand spray



- Complete pre-rinse set with ¾" brass column.
- Deck-mounted pillar tap, M½" includes:
 - Valve head with control knob.
 - Reinforced fixing via 3 screws and M½" tail.
- Bib tap with:
 - **Telescopic, swivelling spout** L. 200 - 290mm with 25 lpm flow rate at the outlet.
 - Valve head with control knob.
- **White, scale-resistant M½" hand spray with adjustable jet** and **9 lpm flow rate** at the outlet.
- White, reinforced, food-grade flexible hose L. 0.95m.
- Adjustable wall bracket.
- Stainless steel spring guide.



G6552

Pre-rinse pillar tap with hand spray

With bib tap	G6552
Without bib tap	G6553

[1.20m flexible hose available on request](#)



- **Superior durability and endurance:** water-free valve head, robust spout and high performance flexible hose
- **Easy to use:** telescopic, swivelling rapid-fill spout
- **Hygiene:** nozzle fitted with a scale-resistant diffuser

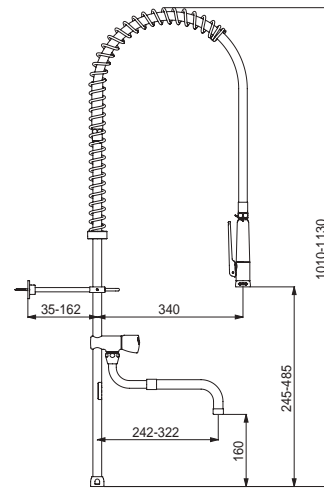
Pre-rinse set



Pre-rinse set with 3/4" brass column includes:

- Bib tap with:
 - **Telescopic, swivelling spout** L. 200 - 290mm with 25 lpm flow rate at the outlet.
 - Valve head with control knob.
- **White, scale-resistant M1/2" hand spray with adjustable jet** and **9 lpm flow rate** at the outlet.
- White, reinforced, food-grade flexible hose L. 0.95m.
- Adjustable wall bracket.
- Stainless steel spring guide.

This pre-rinse set, with no valve, comprises spare parts for refurbishing pre-rinse sets.



433220

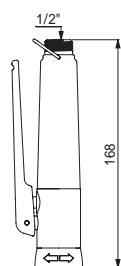
Pre-rinse set	
With long column, F3/4", and telescopic spout	433220
With long column, F3/4", without spout	433020
With short column, F3/4", and telescopic spout *	433422
With short column, F3/4", without spout *	433420

* For wall-mounted mixers

M¹/₂" hand spray



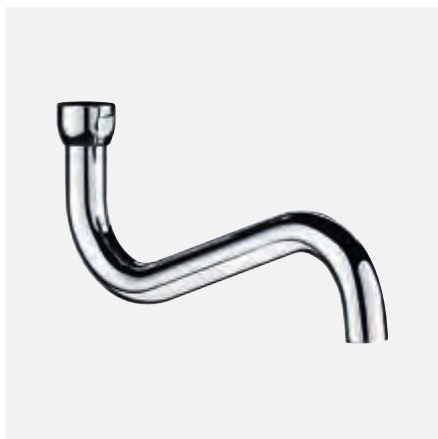
- Hand spray with **adjustable jet** and shock-resistant tip.
- Scale-resistant diffuser (nozzle has no grid).
- **Two jet options:** rain effect - 8 lpm at 3 bar or concentrated jet - 9 lpm at 3 bar.
- **Reinforced polypropylene** handle with non-slip grip for improved grip.
- Chrome-plated solid brass.
- Hand spray can be locked in open position using integrated collar.



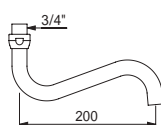
433010

M ¹ / ₂ " hand spray	
White	433000
Black	433010

Swivelling, tubular spout



- Ø 22mm swivelling, tubular spout.
- F³/₄".
- Chrome-plated brass.
- Spout with smooth interior: reduces niches where bacteria can develop.
- Star-shaped, brass flow straightener.



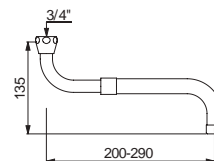
943200110

Swivelling, tubular spout	
L. 200mm	943200110
L. 300mm	943300110

Universal, telescopic spout



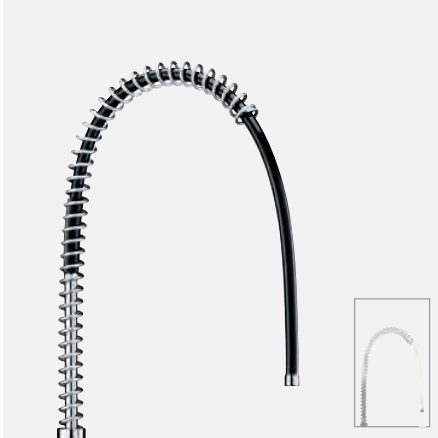
- Universal, telescopic spout.
- F³/₄".
- Chrome-plated solid brass.
- Suitable for mounting above or below a wall-mounted mixer.
- Flow straightener.



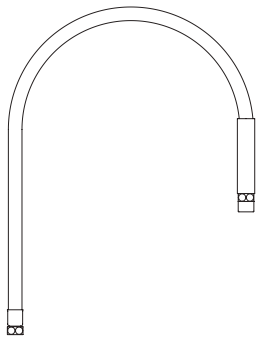
966230

Universal, telescopic spout	
L. 200 - 290mm	966230
L. 300 - 470mm	966380

Food-grade flexible hose
and stainless steel spring guide



- Reinforced flexible hose, **withstands temperatures up to 70°C and up to 5 bar maximum pressure** with:
 - PVC sheath on stress area.
 - **Anti-torsion rotating nut.**
 - Available in white or black.
- Stainless steel spring guide L. 600mm for pre-rinse flexible hoses.



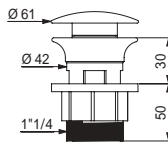
433095

Reinforced, food-grade flexible hose	
White L. 0.95m	433095
White L. 1.20m	433120
White L. 2.00m	433200
Black L. 0.95m	433095CH
Black L. 1.20m	433120CH
Stainless steel spring guide	433038

ON/OFF waste
Waste with stainless steel valve



- Washbasin waste M1¼" with stainless steel valve with **free flow.**
- Recommended for all washbasins equipped with electronic or time flow mixers/taps and washbasins with overflow.
- Open/close by simply pressing the top of the waste.



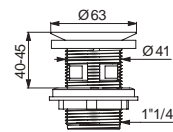
581000

ON/OFF waste	581000
---------------------	---------------

HYGIÉNA waste
Waste with concave grid



- Hygienic washbasin waste M1¼".
- **Concave grid** (no water retention).
- **Free flow, with no central screw** (reduces residue build-up).
- **Pre-scored waste:** snap-off sections can be removed for models with overflow.
- Polished chrome-plated stainless steel grid, chrome plated ABS body.
- **Can adapt to any material and size of washbasin or sink.**
- Can be tightened to a minimum of 1mm or maximum of 65mm.



611

HYGIÉNA waste	611
----------------------	------------



Mixers and Taps for Commercial Kitchens

DECK-MOUNTED
CONTROLS
26



WALL-MOUNTED
CONTROLS
32



MIXERS
WITH RETRACTING
HAND SPRAYS
35



SPOUTS
36





Long Life valve head, full flow rate within the first 90°



Robust spout



SPECIFICALLY DESIGNED FOR INTENSIVE, PROFESSIONAL USE

Subject to intensive use in professional kitchens, the catering industry and for fish preparation etc., mixers and taps must be robust and reliable. Specifically designed to withstand intensive use, DELABIE's mixers and taps are also functional, easy to handle, and ensure effective filling.

Superior durability and endurance

All the mixers and taps in DELABIE's Commercial Kitchens range are quality-controlled and tested under extreme conditions to ensure their durability. They are ideal for intensive use, particularly during busy periods in the kitchen.

Long Life valve head

Thanks to its exclusive quality features, DELABIE's water-free guided valve head - specifically designed for intensive use - provides the mechanism with enhanced durability and a smooth operation (see block below).

Extremely robust spout and ball levers

Unlike most spouts available on the market, the spout mechanism used for the Commercial Kitchen range for intensive use, is manufactured from a piece of solid brass which makes it extremely robust. DELABIE's spouts are 1.25mm thick, ensuring better resistance to knocks from pans. The ball levers are shock-resistant, specifically designed to withstand impacts.

Reliable

DELABIE's mixers and taps are fitted with extremely reliable mechanisms. They are made from scale and corrosion resistant materials. The mechanisms will withstand the high temperatures in professional kitchens, which can reach 90°C.

Easy to use

Ergonomic ball levers

The Bakelite ball levers are easy to operate.

Practical spouts

The spouts can swivel, allowing large pans to be placed beneath for filling.

Rapid-fill

Thanks to the rapid-turn valve head, full flow rate is achieved within the first 90°. Depending on the mixer or tap chosen, the flow rate can range from 45 to 100 lpm at 3 bar.

Mixers and taps with high flow rates fill pans and plunge sinks quickly.

Maximum hygiene

The smooth spout interior reduces the risk of bacterial development. The spouts are fitted with a brass, star-shaped flow straightener which reduces scale build-up and ensures the quality of the water jet, maintaining a laminar flow over time.

AND ALSO...

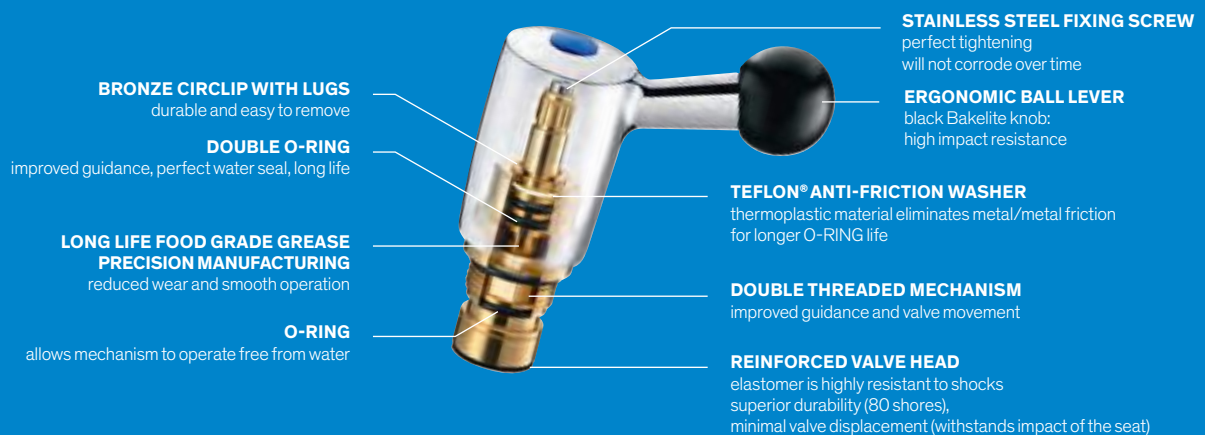
Easy to maintain

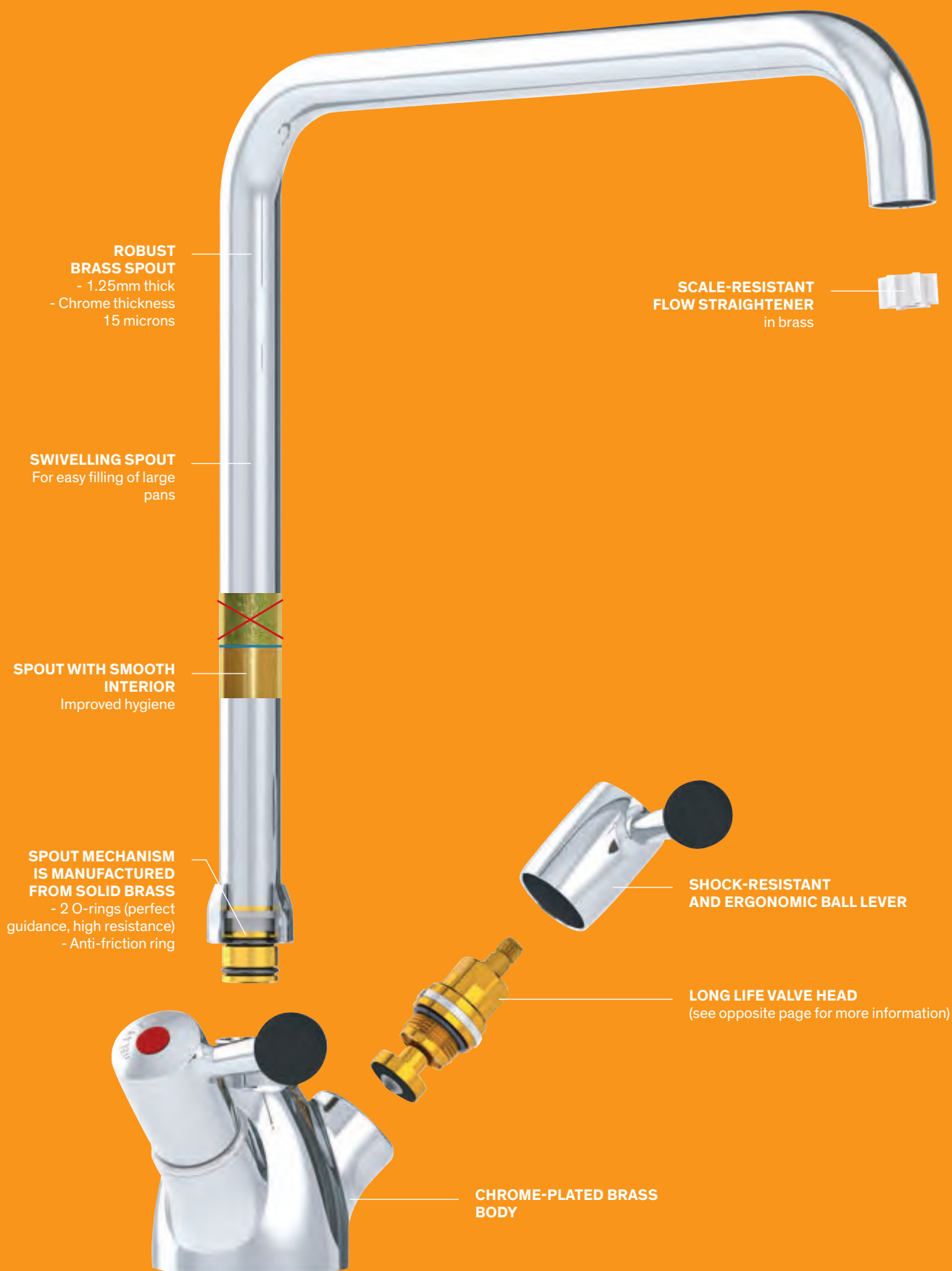
Spare parts are standardised so that maintenance staff can quickly and easily exchange them.

10-year warranty

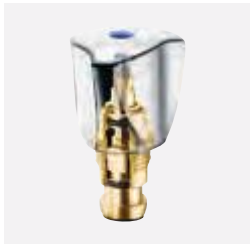
against any manufacturing defects.

EXCLUSIVE QUALITY FEATURES OF THE VALVE HEAD WITH REINFORCED MECHANISM





Model shown: Single hole mixer (ref. 5610)



Water-free valve head



Robust spout



SPECIFICALLY DESIGNED FOR PROFESSIONAL USE

DELABIE's professional mixers and taps for Commercial Kitchens have a level of quality that is ideally suited to commercial catering: restaurants, snack bars, caterers, etc.

Superior durability and endurance

All DELABIE's Commercial Kitchen range of mixers and taps are quality-controlled and tested under extreme conditions to ensure their durability under stress.

Water-free valve head

Thanks to its exclusive quality features, DELABIE's water-free valve head that is fitted to the Commercial Kitchen range, provides the **mechanism with enhanced durability** and a **smooth operation**: no sign of wear after **200,000 operations** (see below).

Robust spout

The Commercial Kitchen range of spouts for professional use, is provided with reinforced fixings for the base which ensures the spout is held in place correctly.

DELABIE's spouts are **1.25mm thick** ensuring better resistance to knocks from pans.

Maximum hygiene

Most of the spouts have a smooth interior which reduces the risk of bacterial development.

Reliable

DELABIE's mixers and taps are fitted with **extremely reliable mechanisms**. They are made from **scale and corrosion resistant** materials.

The mechanisms will withstand the high temperatures, in professional kitchens, which can reach 90°C.

Easy to use

Rapid-fill

The full flow rate is achieved within ½ turn of the valve head. Depending on the mixer or tap chosen, the flow rate can go up to 45 lpm at 3 bar.

Practical spouts

The spouts can **swivel** or they can be retracted (**telescopic spouts**), allowing large pans to be placed beneath for filling.

AND ALSO...

Easy to maintain

Spare parts are standardised so that maintenance staff can quickly and easily exchange them.

10-year warranty

against any manufacturing defects.

EXCLUSIVE QUALITY FEATURES OF THE VALVE HEAD WITH CONTROL KNOB

STAINLESS STEEL FIXING SCREW
perfect tightening
will not corrode over time

ULTRAMID® ANTI-FRICTION WASHER
thermoplastic material eliminates metal/metal friction

**LONG LIFE FOOD GRADE GREASE
PRECISION MANUFACTURING**
reduced wear and smooth operation

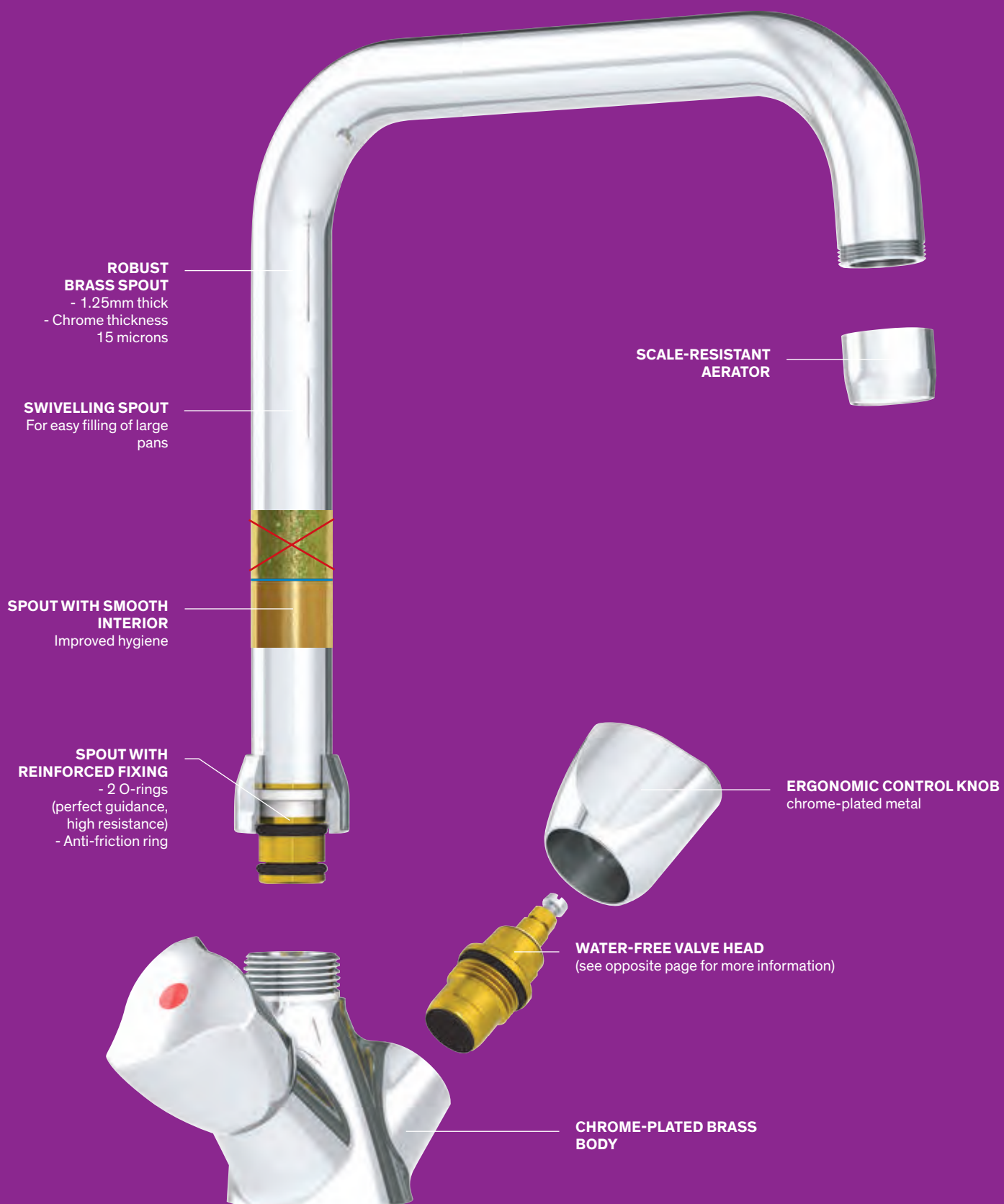
O-RING
allows mechanism to operate free from water



BRONZE CIRCLIP WITH LUGS
easy to remove

THREADED SHAFT AND LONG LENGTH NUT
improved guidance and valve movement

REINFORCED VALVE HEAD
EPDM: elastomer is highly resistant to shocks (90 shores)
recessed seat: minimal valve displacement and reduces vibrations (withstands impact of the seat)



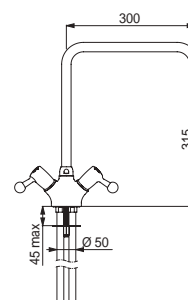


- **Rapid-fill:** flow rate 100 lpm at 3 bar
- **Superior durability and endurance:** brass body and spout, shock-resistant ball levers will withstand intensive use
- **Maximum hygiene:** spout with smooth interior reduces bacterial development

Deck-mounted single hole mixer - 100 lpm



- **Swivelling, tubular spout** \varnothing 22mm H. 315mm L. 300mm.
- Star-shaped, brass flow straightener.
- **Water-free guided valve heads with reinforced mechanisms.**
- **Shock-resistant, ergonomic ball levers.**
- **Flow rate 100 lpm** at 3 bar, suitable for plunge sinks.
- Full flow rate within **the first 90°.**
- **Spout with smooth interior.**
- Chrome-plated brass body and spout.
- Reinforced fixing.
- Soldered copper pipe water inlets.



5610



- **Rapid-fill:** flow rate 100 lpm at 3 bar
- **Superior durability and endurance:** brass body and spout, shock-resistant ball levers will withstand intensive use
- **Maximum hygiene:** spout with smooth interior reduces bacterial development

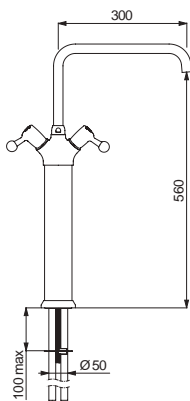
Deck-mounted single hole mixer - 100 lpm

Mixer with extension column



- **Swivelling, tubular spout** Ø 22mm H. 560mm L. 300mm.
- Star-shaped, brass flow straightener.
- **Water-free, guided valve heads with reinforced mechanisms.**
- **Shock-resistant, ergonomic ball levers.**
- **Flow rate 100 lpm** at 3 bar.
- Full flow rate within **the first 90°.**
- **Spout with smooth interior.**
- Chrome-plated brass body and spout.
- Reinforced fixing.
- Soldered copper pipe water inlets.

This model is ideal for installation on stove tops.



5612

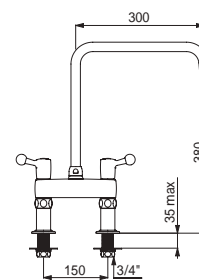
Deck-mounted single hole mixer with extension column 5612

Deck-mounted twin hole mixer - 100 lpm

Mixer on pillar mounts



- Deck-mounted mixer, M³/₄" with 150mm centres.
- **Swivelling, tubular spout** Ø 22mm H. 380mm L. 300mm.
- Star-shaped, brass flow straightener.
- **Water-free, guided valve heads with reinforced mechanisms.**
- **Shock-resistant, ergonomic ball levers.**
- **Flow rate 100 lpm** at 3 bar, suitable for plunge sinks.
- Full flow rate within **the first 90°.**
- **Spout with smooth interior.**
- One-piece body and spout made from chrome-plated brass.
- Reinforced fixing.
- Recessed inlets.



5603

Deck-mounted twin hole mixer on pillar mounts 5603

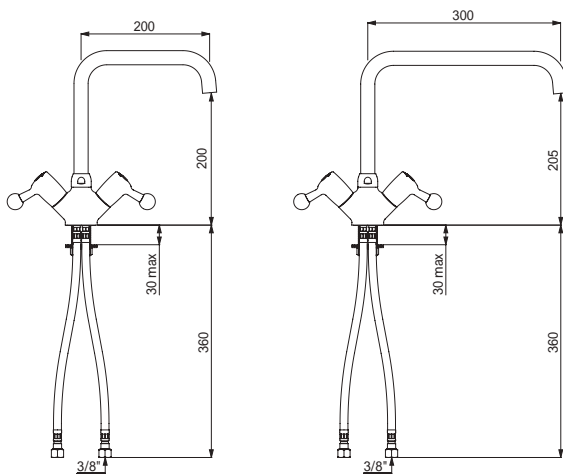


- **Rapid-fill:** flow rate 45 lpm at 3 bar
- **Durability:** brass body and spout suitable for professional use
- **Maximum hygiene:** spout with smooth interior reduces bacterial development

Deck-mounted single hole mixer - 45 lpm



- **Swivelling, tubular spout** Ø 22mm.
- Fitted with scale-resistant aerator, star-shaped flow straightener also supplied.
- **Water-free, guided valve heads with reinforced mechanisms.**
- **Shock-resistant ergonomic ball levers.**
- **Flow rate 45 lpm** at 3 bar.
- Full flow rate within **the first 90°.**
- **Spout with smooth interior.**
- Chrome-plated brass body and spout.
- Reinforced fixing.
- F $\frac{3}{8}$ " PEX flexibles.



5640T2

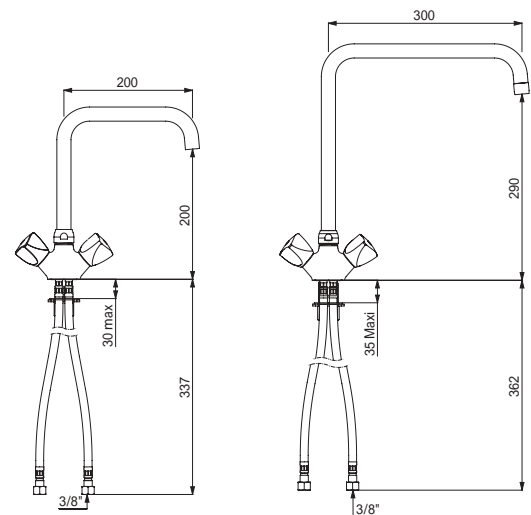
5640T3

Deck-mounted single hole mixer	
Spout H. 200mm L. 200mm	5640T2
Spout H. 205mm L. 300mm	5640T3

Deck-mounted single hole mixer - 45 lpm



- **Swivelling, tubular spout** Ø 22mm.
- Fitted with scale-resistant aerator, star-shaped flow straightener also supplied.
- **Water-free valve heads.**
- Control knobs.
- **Flow rate 45 lpm** at 3 bar.
- **Spout with smooth interior.**
- Chrome-plated brass body and spout.
- Reinforced fixing.
- F $\frac{3}{8}$ " PEX flexibles.



G66452

G66453

Deck-mounted single hole mixer	
Spout H. 200mm L. 200mm	G66452
Spout H. 290mm L. 300mm	G66453



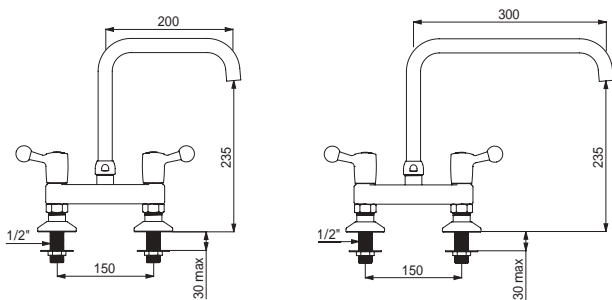
- **Rapid-fill:** flow rate 45 lpm at 3 bar
- **Durability:** brass body and spout suitable for professional use
- **Maximum hygiene:** spout with smooth interior reduces bacterial development

Deck-mounted twin hole mixer - 45 lpm



- Deck-mounted mixer, M1/2" with 150mm centres.
- **Swivelling, tubular spout** Ø 22mm.
- Fitted with scale-resistant aerator, star-shaped flow straightener also supplied.
- **Water-free, guided valve heads with reinforced mechanisms.**
- **Shock-resistant, ergonomic ball levers.**
- **Flow rate 45 lpm** at 3 bar.
- Full flow rate within **the first 90°.**
- **Spout with smooth interior.**
- One-piece body and spout made from chrome-plated brass.
- Reinforced fixing.

Can be installed close to the splashback.



5641T2

5641T3

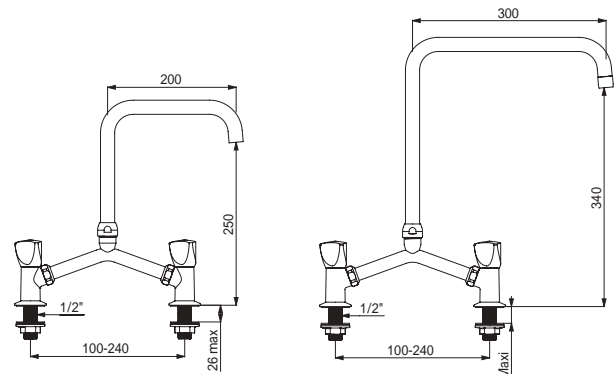
Deck-mounted twin hole mixer	
Spout H. 235mm L. 200mm	5641T2
Spout H. 235mm L. 300mm	5641T3

Deck-mounted twin hole mixer - 45 lpm



- Deck-mounted mixer, M1/2" with adjustable centres 100 – 240mm.
- **Swivelling, tubular spout** Ø 22mm.
- Fitted with scale-resistant aerator, star-shaped flow straightener also supplied.
- **Water-free valve heads.**
- Control knobs.
- **Flow rate 45 lpm** at 3 bar.
- **Spout with smooth interior.**
- Chrome-plated brass body and spout.
- Reinforced fixing.

Can be installed close to the splashback.



G65602

G65603

Deck-mounted twin hole mixer	
Spout H. 250mm L. 200mm	G65602
Spout H. 340mm L. 300mm	G65603



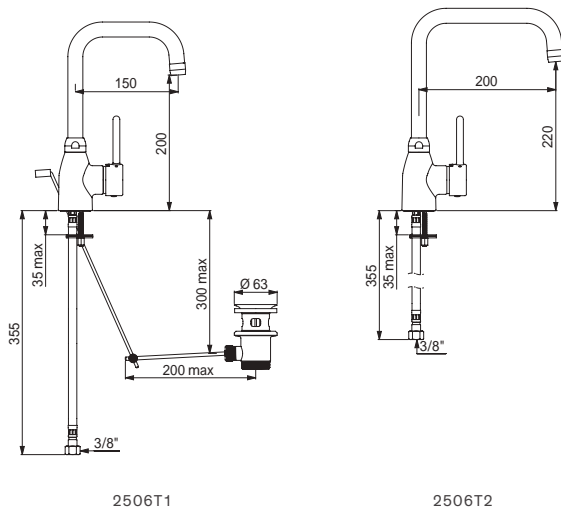
- **Hygiene:** spout with smooth interior reduces bacterial development
- **Durability:** chrome-plated brass body and reinforced fixing

Single hole mixer - 5 lpm

With swivelling, tubular spout



- **Swivelling, tubular spout** Ø 22mm.
- Hygienic **BIOSAFE spout outlet.**
- Ø 35mm ceramic cartridge.
- **Flow rate limited to 5 lpm** at 3 bar.
- **Spout with smooth interior.**
- Slimline control lever.
- Chrome-plated brass body and spout.
- Reinforced fixing.
- F $\frac{3}{8}$ " PEX flexibles.



2506T1

2506T2

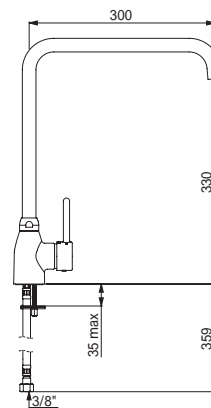
Deck-mounted single hole mixer	
H. 200mm L. 150mm with pop-up waste 1¼" in brass	2506T1
H. 200mm L. 150mm without pop-up waste	2506T1T
H. 220mm L. 200mm without pop-up waste	2506T2

Single hole mixer - 20 lpm

With swivelling, tubular spout H. 330mm



- **Swivelling, tubular spout** Ø 22mm.
- Fitted with scale-resistant aerator, star-shaped flow straightener also supplied.
- Ø 35mm ceramic cartridge.
- **Flow rate 20 lpm** at 3 bar.
- **Spout with smooth interior.**
- Slimline control lever.
- Chrome-plated brass body and spout.
- Reinforced fixing.
- F $\frac{3}{8}$ " PEX flexibles.



2506T3

Deck-mounted single hole mixer H. 330mm L. 300mm	
Without pop-up waste	2506T3



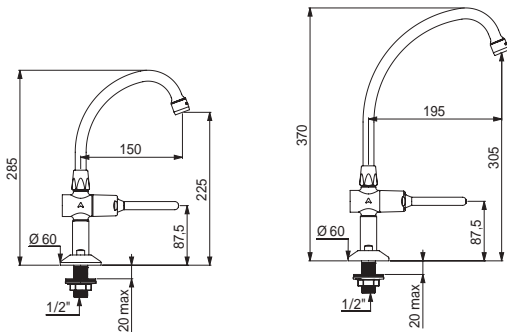
• **Durability:** chrome-plated brass body and reinforced fixing

TEMPOSTOP time flow pillar tap

With swan neck spout



- Time flow tap **with lever control.**
- **Swivelling, swan neck spout.**
- Scale-resistant flow straightener pre-set at 3 lpm.
- **Adjustable flow rate.**
- **Automatic timed shut-off ~3 seconds** (7 or 15 seconds available on request).
- Reinforced fixing.



737152

737202

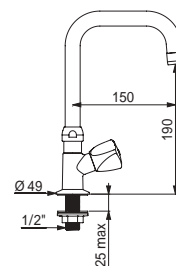
TEMPOSTOP pillar tap	
Spout H. 225mm L. 150mm	737152
Spout H. 305mm L. 195mm	737202

Pillar tap

With swivelling, tubular spout H. 190mm



- **Swivelling, tubular spout** Ø 22mm H. 190mm L. 150mm.
- Scale-resistant flow straightener.
- **Water-free valve head.**
- Chrome-plated metal control knob.
- **Spout with smooth interior.**
- Chrome-plated brass body and spout.
- Reinforced fixing.



D2553

Pillar tap	D2553
-------------------	--------------



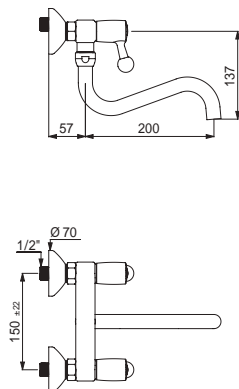
- **Rapid-fill:** flow rate 45 lpm at 3 bar
- **Durability:** One-piece body and spout made from chrome-plated brass
- **Space saving:** installation close to the wall allows clear work spaces

Wall-mounted twin hole mixer - 45 lpm

With swivelling, tubular under spout



- **Swivelling, tubular under spout** Ø 22mm L. 200mm.
- Star-shaped brass flow straightener.
- **Water-free, guided valve heads with reinforced mechanisms.**
- **Shock-resistant, ergonomic ball levers.**
- **Flow rate 45 lpm** at 3 bar.
- Full flow rate within **the first 90°.**
- **Spout with smooth interior.**
- One-piece body and spout made from chrome-plated brass.
- M $\frac{1}{2}$ " M $\frac{3}{4}$ " offset connectors supplied with wall plate (see page 69).



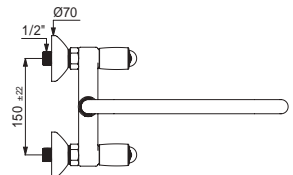
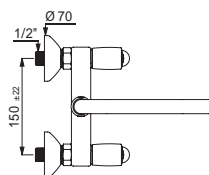
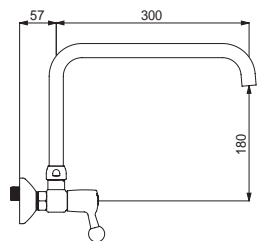
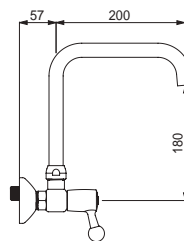
5645T2

Wall-mounted twin hole mixer - 45 lpm

With swivelling, tubular over spout



- **Swivelling, tubular over spout** Ø 22mm.
- Fitted with scale-resistant aerator, star-shaped flow straightener also supplied.
- **Water-free, guided valve heads with reinforced mechanisms.**
- **Shock-resistant, ergonomic ball levers.**
- **Flow rate 45 lpm** at 3 bar.
- Full flow rate within **the first 90°.**
- **Spout with smooth interior.**
- One-piece body and spout made from chrome-plated brass.
- M $\frac{1}{2}$ " M $\frac{3}{4}$ " offset connectors supplied with wall plate (see page 69).



5647T2

5647T3

Wall-mounted twin hole mixer with tubular under spout	5645T2
---	--------

Wall-mounted twin hole mixer with tubular over spout	
Spout L. 200mm	5647T2
Spout L. 300mm	5647T3



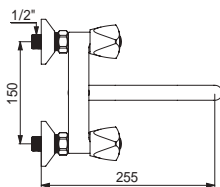
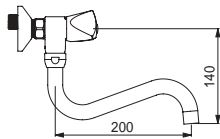
- **Durability:** chrome-plated body and spout
- **Space saving:** installation close to the wall allows clear work spaces

Wall-mounted twin hole mixer - 45 lpm

With swivelling, tubular spout



- **Swivelling, tubular under spout** $\varnothing 22$ mm L. 200mm.
- Star-shaped brass flow straightener.
- Ceramic valve heads.
- **Flow rate 45 lpm** at 3 bar.
- **Spout with smooth interior.**
- Chrome-plated brass body and spout.
- Supplied with 2 offset wall connectors $M\frac{1}{2}$ " $M\frac{3}{4}$ " (see page 69).



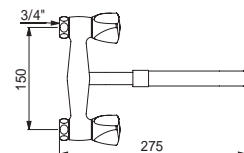
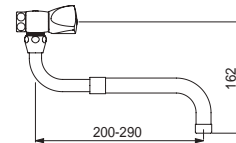
5445T2S

Wall-mounted twin hole mixer - 30 lpm

With telescopic, swivelling spout



- **Telescopic spout** $\varnothing 22$ mm L. 200 - 290mm.
- Star-shaped flow straightener.
- **Water-free valve heads.**
- Control knobs.
- **Flow rate 30 lpm** at 3 bar.
- Chrome-plated brass body and spout.
- Mixer can be installed with the spout above or below.
- Wall connectors not included.



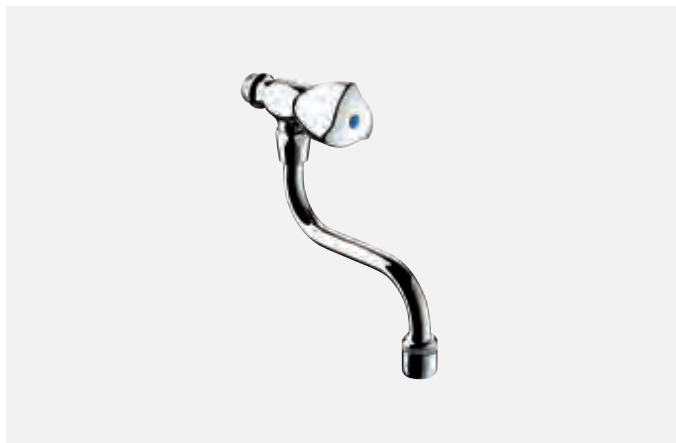
G6679

Wall-mounted twin hole mixer with tubular under spout	5445T2S
---	---------

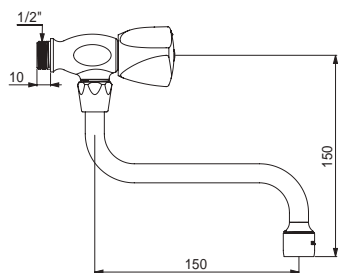
Wall-mounted twin hole mixer with telescopic spout	G6679
Option : Wall-mounted connectors (see page 69)	

Wall-mounted tap for sinks

With swivelling under spout



- **Swivelling, tubular under spout** Ø 22mm.
- Scale-resistant flow straightener regulated at 3 lpm.
- **Water-free valve head.**
- Chrome-plated metal control knob.
- Chrome-plated brass body.
- M $\frac{1}{2}$ ".

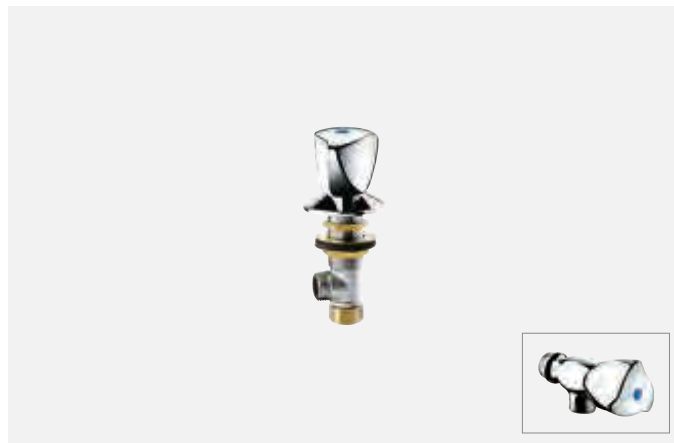


D275150

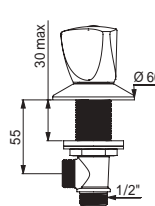
Wall-mounted tap for sinks	
Spout L. 150mm	D275150
Spout L. 200mm	D275200

Wall or deck-mounted valve

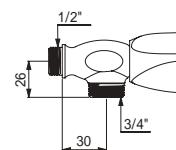
Control with valve head



- **Water-free valve head** with chrome-plated metal control knob.
- Supplied with red and blue identification markers.
- Two models available:
 - M $\frac{1}{2}$ " vertical inlet, M $\frac{1}{2}$ " horizontal outlet (ref. D273015).
 - M $\frac{1}{2}$ " horizontal inlet, M $\frac{3}{4}$ " vertical outlet with integrated non-return valve providing back-flow protection (ref. D276020).



D273015



D276020

Control with valve head	
Deck-mounted control	D273015
Wall-mounted control	D276020

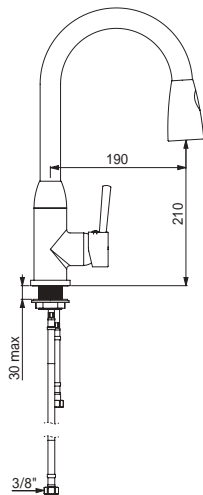


- **Comfort:** retracting hand spray with 2 jet options: flow straightener/rain effect
- **Ergonomic:** sculptured or slimline control levers are easy to grip

Mixer with retracting hand spray
H. 210mm L. 190mm



- Mixer **H. 210mm L. 190mm.**
- Retracting hand spray with 2 jet options: flow straightener/rain effect.
- **Swivelling swan neck spout.**
- Ø 40mm ceramic cartridge.
- Pre-set maximum **temperature limiter.**
- **Flow rate 9 lpm** at 3 bar.
- Reinforced fixing.
- Hand spray flexible hose with non-return valve.
- F $\frac{3}{8}$ " PEX flexibles.

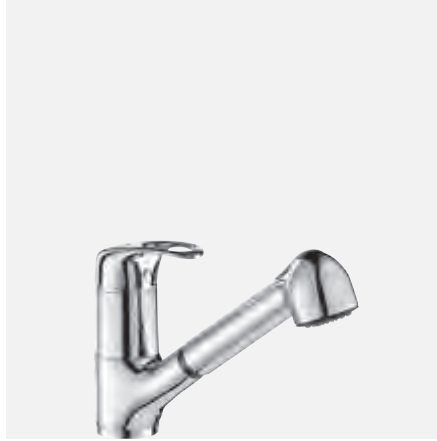


2597

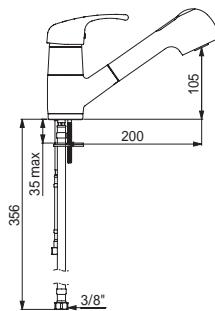
Mixer with retracting hand spray H. 210mm L. 190mm	
With slimline control lever	2597

Option: Wastes (see page 69)

Mixer with retracting hand spray
H. 105mm L.200mm



- Mixer **H. 105mm L. 200mm.**
- Retracting hand spray with 2 jet options: flow straightener/rain effect.
- **Swivelling hand spray base.**
- Ø 40mm ceramic cartridge.
- Pre-set maximum **temperature limiter.**
- **Flow rate 12 lpm** at 3 bar.
- Reinforced fixing.
- Hand spray flexible hose with non-return valve.
- F $\frac{3}{8}$ " PEX flexibles.



2211

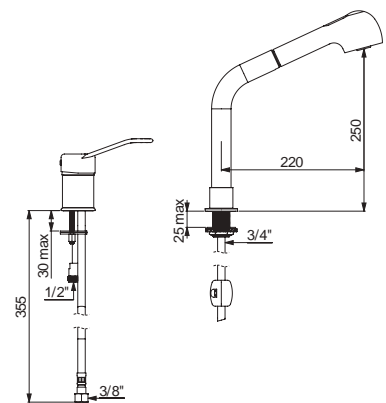
Mixer with retracting hand spray H. 105mm L. 200mm	
With sculptured control lever	2211
With curved Hygiene control lever L. 200mm	2211L

Option: Wastes (see page 69)

Mixer set with retracting hand spray on a column



- Retracting hand spray with 2 jet options: flow straightener/rain effect.
- Swivelling column **H. 250mm L. 220mm.**
- Ø 40mm ceramic cartridge.
- Pre-set maximum **temperature limiter.**
- **Flow rate 12 lpm** at 3 bar.
- Sculptured control lever.
- Reinforced fixing.
- Mixed water brass outlet L. 105mm with integrated non-return valve.
- F $\frac{3}{8}$ " PEX flexibles.



2599

Mixer with retracting hand spray	
Mixer and column	2599
Mixer only	2542
Column only	1316

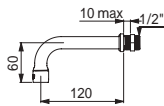
Option: Wastes (see page 69)

L-shaped spout

Wall-mounted



- Tubular spout Ø 18mm, M1/2".
- L. 120mm.
- Chrome-plated brass.
- Flow straightener.



941922

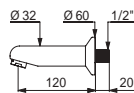
Wall-mounted L-shaped spout	
Star-shaped flow straightener	941120
Flow straightener pre-set at 3 lpm for panels ≤ 10mm	941922

Spout with wall plate

Wall-mounted



- Spout Ø 32mm and wall plate Ø 60mm, M1/2".
- L. 120mm.
- Chrome-plated solid brass.
- Scale-resistant flow straightener regulated at 3 lpm.



947135

Wall-mounted spout with wall plate	
	947135

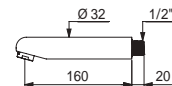
[Other spout lengths available on request](#)

Spout

Wall-mounted



- Spout Ø 32mm, M1/2".
- Chrome-plated solid brass.
- Scale-resistant flow straightener regulated at 3 lpm.



947170

Wall-mounted spout	
L. 110mm	947120
L. 160mm	947170

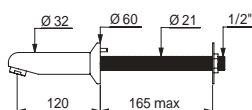
[Other spout lengths available on request](#)

Spout with wall plate

Cross wall



- Spout Ø 32mm and wall plate Ø 60mm, M1/2".
- For walls ≤ 165mm with anti-rotating pin.
- Threaded rod can be cut to size.
- Chrome-plated solid brass.
- Scale-resistant flow straightener regulated at 3 lpm.



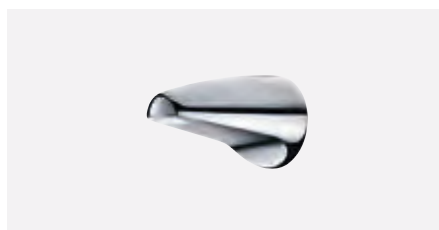
947151

Cross wall spout with wall plate	
L. 120mm	947151
L. 170mm	947157
Back nut with 3 screws	826315

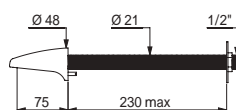
[Other spout lengths available on request](#)

Spout

Cross wall



- Spout L. 75mm, M1/2".
- For cross wall installation with anti-rotating pin.
- Threaded rod can be cut to size.
- Streamlined ligature-resistant design.
- Chrome-plated solid brass.
- Scale-resistant, star-shaped flow straightener.

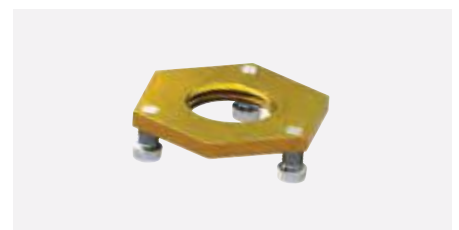


942200

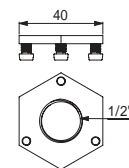
Cross wall spout	
For walls ≤ 230mm	942200
For panels ≤ 30mm	942040
Back nut with 3 screws	826315

[Other spout lengths available on request](#)

Back nut with 3 screws



- Rough brass F1/2" back nut.
- For cross wall 1/2" taps or spouts.
- Reinforced clamp behind wall.
- 3 stainless steel screws.
- Supplied with Ø 44mm sealing washer.



826315

Back nut with 3 screws	
	826315

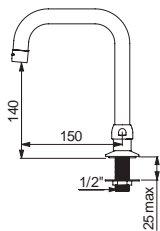
Back nut with 3 screws **826315**

Swivelling, tubular spout

Deck-mounted



- Tubular spout Ø 22mm on a M $\frac{1}{2}$ " base.
- Spout with smooth interior: reduces bacterial development.
- Chrome-plated brass.
- Scale-resistant flow straightener.



1306T1

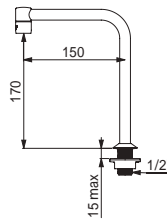
Deck-mounted, swivelling spout	
L. 150mm H. 140mm, 3 lpm	1306T1
L. 200mm H. 260mm, 3 lpm	1306T2
L. 300mm H. 260mm	1306T3

Fixed spout

Deck-mounted



- Tubular spout Ø 16mm, M $\frac{1}{2}$ ".
- L. 150mm, H. 170mm.
- Spout with smooth interior: reduces bacterial development.
- Chrome-plated brass.
- Scale-resistant flow straightener regulated at 3 lpm.



204001

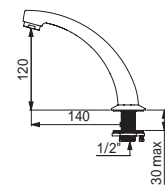
Deck-mounted, fixed spout	
	204001

Fixed, cast spout

Deck-mounted



- Spout L. 140mm, H. 120mm, M $\frac{1}{2}$ ".
- Reinforced fixing by 3 stainless steel screws.
- Chrome-plated solid brass.
- Scale-resistant flow straightener regulated at 3 lpm.



981142

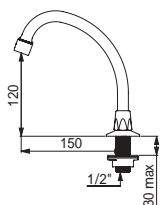
Deck-mounted, fixed, cast spout	
	981142

Swivelling swan neck spout

Deck-mounted



- Swan neck spout M $\frac{1}{2}$ ".
- Fixed by back nut.
- Chrome-plated brass.
- Scale-resistant flow straightener regulated at 3 lpm.



967152

Deck-mounted swivel spout	
L. 150mm H. 120mm	967152
L. 200mm H. 200mm	967202

ECO flow straightener

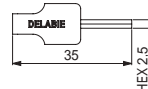
Pre-set at 3 lpm



- Scale-resistant flow straightener pre-set at 3 lpm (DELABIE patented).
- Flow rate can be adjusted from 1.5 - 6 lpm at 3 bar (depending on the mixer/tap model) from the outside using a 2.5mm Allen key.
- Flow straightener has no grid: reduces bacterial development (no water retention or build-up of impurities).
- 2 per pack.



922024.2P



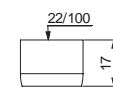
C282025

Scale-resistant, ECO flow straightener	
M24/100 (2 per pack)	922024.2P
F22/100 (2 per pack)	922022.2P
2.5mm Chrome-plated Allen key	C282025

Hygienic flow straightener



- Star-shaped with no grid: reduces bacterial development.
- Chrome-plated brass ring.
- Supplied in packs of 2 or 50 pieces.



921022.50P

Hygienic flow straightener	
F22/100 (2 per pack)	921022.2P
F22/100 (50 per pack)	921022.50P
M24/100 (2 per pack)	921024.2P
M24/100 (50 per pack)	921024.50P



Non-contact controls

ELECTRONIC
CONTROLS
44



KNEE OR
FOOT-OPERATED
CONTROLS
56





HYGIENE AND INFECTION CONTROL

Opens/closes automatically with no manual contact

DELABIE's electronic controls are operated by active infrared detection. Flow opens when the detector senses hands and shuts off automatically when hands are removed from the detection zone.

No manual contact prevents the spread of germs by hand.

Anti-bacterial duty flush programme

Water stagnation is one of the main causes of bacterial development in water systems. All the studies show contamination of electronic controls occurs on those mixers or taps that do not have an automatic flush. If the mixer or tap is used daily, there is a very low risk of bacterial development. To prevent water stagnation all DELABIE's electronic controls have an automatic duty flush.

An automatic flush takes place for approximately 60 seconds every 24 hours after the last use (can be programmed on some models). As a result, bacteria do not have the opportunity to develop.

Reduced-stagnation solenoid valve

Most solenoid valves are fitted with a rubber membrane behind which water stagnates and is not renewed. This can lead to bacterial proliferation. DELABIE has developed a patented technology that operates without a membrane, supplied with the majority of its electronic controls. With this piston-operated solenoid valve, water is drained and renewed with every use which limits bacterial development. The solenoid valves' self-cleaning system with a calibrated groove reduces the build-up of dirt. Furthermore, its slow closure eliminates water-hammer.

Hygienic flow straightener

Unlike conventional aerators, DELABIE's flow straightener is specially made from Hostaform®, a material that is deemed to be scale-resistant (build-up of scale is 10 times slower). It minimises water retention and the build-up of dirt, and prevents the spread of germs.

PEX flexible hoses

These flexible hoses will withstand the thermal and chemical shocks undertaken in public facilities for preventative or curative treatments against the development of bacteria.

90% WATER AND ENERGY SAVINGS

Water savings

Compared to conventional mixers and taps, DELABIE's electronic controls can offer maximum water savings. They provide maximum user comfort while optimising the water bill.

Automatic shut-off and split delivery

The mixer or tap shuts off automatically when hands are removed from the detection zone. This removes the risk of waste through negligence. The anti-blocking safety system activates to prevent the mixer or tap from flowing continuously. The flow time is reduced to the necessary minimum (wetting, rinsing).

Flow rate regulated at 3 lpm

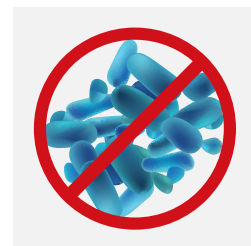
DELABIE's electronic controls are regulated at 3 lpm. The flow rate remains constant whatever the water pressure in the system. The flow rate is pre-set at 3 lpm at 3 bar. However, it can be adjusted from 1.5 (cf. Ecolabels) to 6 lpm.

Energy savings

DELABIE's electronic mixers and taps (mains or battery-operated) do not require much energy to operate. DELABIE has chosen infrared active pulse technology, a low-power consumption solution. The infrared beam is emitted intermittently, saving energy while ensuring effective detection. DELABIE's battery-operated electronic models have an average life span of 350,000 cycles (i.e. 3 to 6 years) depending on the frequency of use. The Lithium batteries are widely available, affordable and recyclable. The significant hot water savings provided by DELABIE's mixers and taps also result in energy savings.

Ecolabels

The water and energy saving performance of DELABIE's electronic controls means that the buildings achieve the highest performance standards for international rating schemes such as BREEAM, LEED or ESTIDAMA.



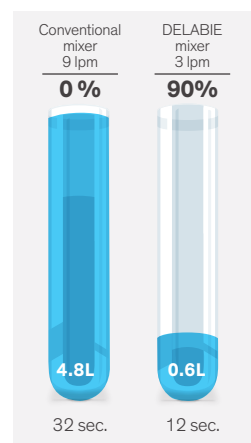
Hygiene and infection control



Reduced-stagnation solenoid valve



No manual contact



Water savings achieved

COMPARISONS OF WATER CONSUMPTION

Comparison between a conventional mixer and a DELABIE electronic mixer

Flow rate	Wetting	Soaping	Rinsing	Water consumption
9L	5 sec.	20 sec.	7 sec.	4.8L 32 sec.
3L	5 sec.	7 sec.	7 sec.	0.6L 12 sec.



Vandal-resistant

SPECIFICALLY DESIGNED FOR COMMERCIAL ENVIRONMENTS

Resistant to intensive use and vandalism

DELABIE's electronic controls have been specifically designed to withstand intensive use and vandalism, both voluntary and involuntary.

The mixer and tap bodies are made from chrome-plated solid brass, fitted with **shock-resistant** mechanisms and sensors.

The reinforced fixings will stand up to intensive use. **Streamlined designs** discourage attempts at vandalism. To prevent abuse and waste, all models are fitted with a system to avoid blocking during flow.

For areas that require tamperproof installations, there are recessed and cross wall versions which have mechanisms that cannot be accessed by the user.



Reinforced fixings

Easy to install

DELABIE's products are **easy to install and adjustments are kept to a minimum** to save time during installation.

BINOPTIC, TEMPOMATIC 1, 2 and PRO models: Independent electronic control unit, 230/12V mains or 6V* Lithium batteries.

Depending on the model, there is an option to adjust the presence detection distance, to change the operating mode (On/Off or automatic) and change the duty flush settings.

The battery-operated models work autonomously for 3 to 6 years.

The electronic control units are waterproof (IP65) with diagnostic LEDs to facilitate servicing.



Diagnostic LEDs

TEMPOMATIC 3 and 4 models: Electronic control unit and solenoid valve are integrated into the body*:

They can be installed on any isolated point-of-use, for new builds as well as renovation.

6V Lithium battery*:

There are no electrical connections required. Simply connect the flexibles to the supply pipes in the same way as for a conventional mixer/tap. No special adjustment is necessary; the mixer/tap is ready to operate for 3 to 6 years.

A red LED light will flash for 15 days to indicate that the battery life is low. The battery can be changed without shutting off the water supply or removing the mixer/tap.

230/12V mains supply (plug in or recessed)*:

Simply connect the flexibles to the supply pipes and connect the electrical supply to the mixer/tap via a plug and socket or recessed connection close to the basin. This does not require any specific maintenance (no battery changes).

* Depending on the model



Easy to maintain



Reliable presence detection

DELABIE has chosen the most reliable detection system: **infrared active pulse**.

It can't be adjusted or affected by variations in light levels. On models with a sensor at the end of the spout, the infrared beam **adapts automatically**, to ensure that the hands are detected in any position.

Minimal servicing and easy maintenance

The **scale-resistant** solutions (flow straighteners, mechanisms) and the filters ensure minimal servicing. **The spare parts are standardised** to ensure quick and easy replacement by maintenance staff.

The electronic control units are fitted with LEDs to aid **diagnostic** checks, and the **access** to the components (battery, solenoid valve) is **direct**, without having to remove the mixer/tap.

Technical characteristics

Operating pressure	1 - 5 bar, 3 bar recommended
Pressure differential HW/CW	$\Delta P < 1$ bar
Electrical supply*	220-240V / 50Hz class II (without earth)
Electronic unit*	Independent, waterproof IP65
6V Lithium battery*	123 or 223 standard batteries Average lifespan ~350,000 cycles or 3 - 6 years
Duty flush programme* can be adjusted	Off or 60 sec. 12 or 24 hours after the last use
Automatic shut-off in event of negligence	Prevents continuous flow or blocking in the open position
Temperature limiter	Can be adjusted
HW supply	55°C max
CE	Conforms with European directives CEM 2004/108 CEE and BT 2006/95/CE

* Depending on the model

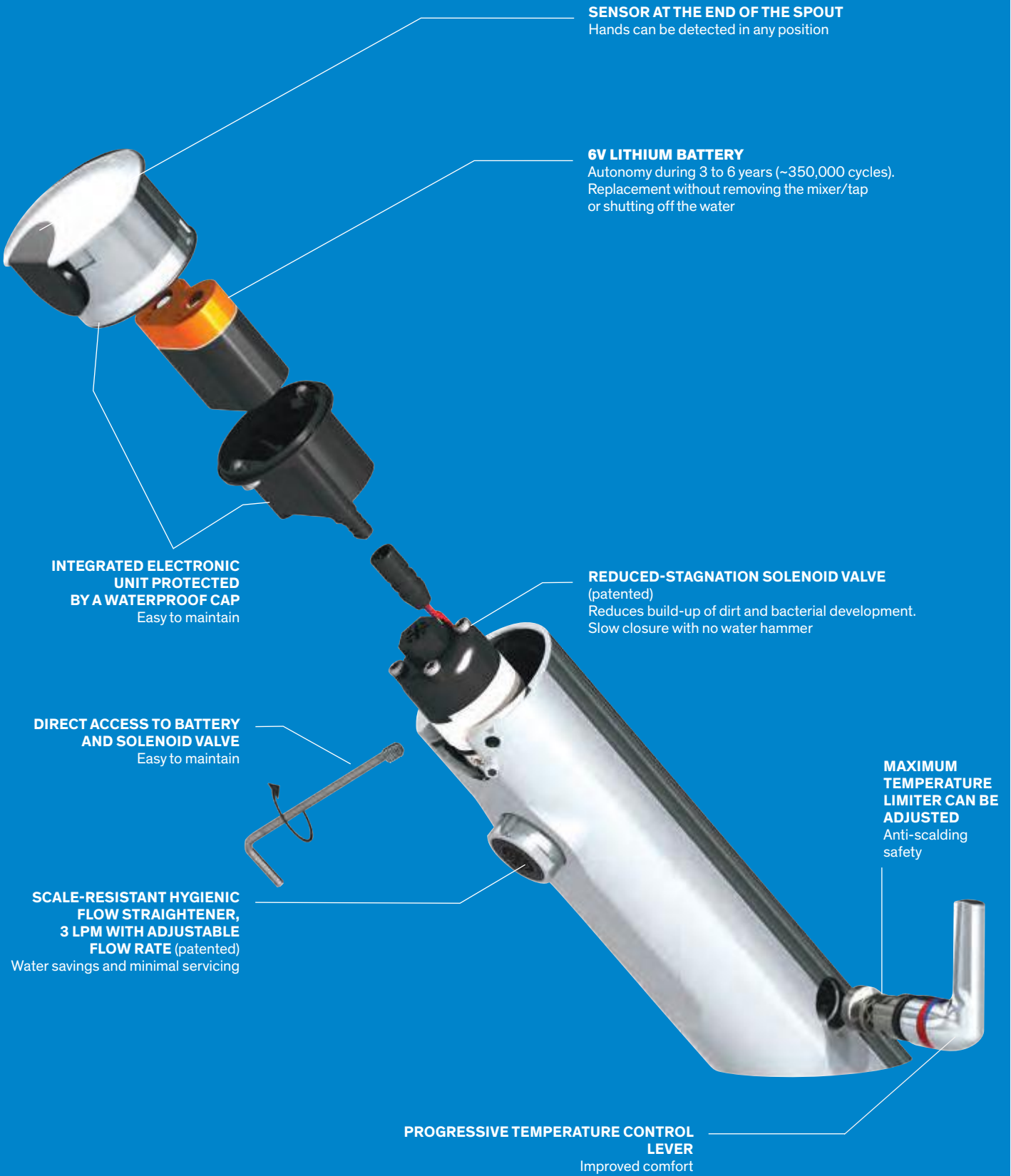
10-year warranty

against any manufacturing defects.

DESIGN

DELABIE's products, known for their endurance and reliability, have a timeless design. The diversity of the product range fits in perfectly with any commercial installation.

In an office building or a shopping centre, it is paramount that the product design fits in with its surroundings. Aesthetic products are subject to less vandalism as they are better respected. The smooth shape of the taps reduces the build-up of dirt and facilitates the cleaning. Easy but secure access to the control mechanisms provides easy maintenance.



SENSOR AT THE END OF THE SPOUT
Hands can be detected in any position

6V LITHIUM BATTERY
Autonomy during 3 to 6 years (~350,000 cycles).
Replacement without removing the mixer/tap
or shutting off the water

**INTEGRATED ELECTRONIC
UNIT PROTECTED
BY A WATERPROOF CAP**
Easy to maintain

REDUCED-STAGNATION SOLENOID VALVE
(patented)
Reduces build-up of dirt and bacterial development.
Slow closure with no water hammer

**DIRECT ACCESS TO BATTERY
AND SOLENOID VALVE**
Easy to maintain

**MAXIMUM
TEMPERATURE
LIMITER CAN BE
ADJUSTED**
Anti-scalding
safety

**SCALE-RESISTANT HYGIENIC
FLOW STRAIGHTENER,
3 LPM WITH ADJUSTABLE
FLOW RATE (patented)**
Water savings and minimal servicing

**PROGRESSIVE TEMPERATURE CONTROL
LEVER**
Improved comfort



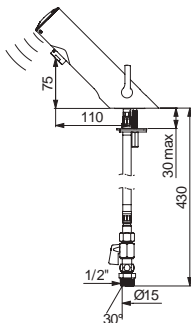
- **Water savings:** 90%
- **Hygiene:** no manual contact, reduced-stagnation solenoid valve, anti-bacterial duty flush
- **Easy to install:** installed in the same way as a conventional mixer, electronic system integrated into the body of the mixer/tap
- **Easy to replace the battery:** after ~350,000 operations, without removing the mixer or shutting off the water supply

TEMPOMATIC MIX 4 basin mixer

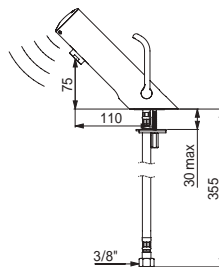
Electronic mixer with integrated battery



- **Battery-operated with integrated 223 6V Lithium battery.**
- **Reduced-stagnation solenoid valve and electronic unit integrated** into the body of the mixer.
- **Flow rate pre-set at 3 lpm** at 3 bar, can be adjusted from 1.5 - 6 lpm.
- **Scale-resistant flow straightener.**
- **Duty flush** (~60 sec. every 24 hours after last use).
- Active, infrared movement detection, sensor at the end of the spout optimises detection.
- Chrome-plated solid brass body.
- Cap fixed in place by 2 concealed screws.
- PEX flexibles with filters and non-return valves.
- Reinforced fixing.
- Anti-blocking safety.
- Side temperature control with adjustable maximum temperature limiter.



49000615



490106LH

TEMPOMATIC MIX 4 battery-operated basin mixer	
With stopcocks F $\frac{3}{8}$ "	490006
With stopcocks, 15mm compression fittings	49000615
Without stopcocks	490106

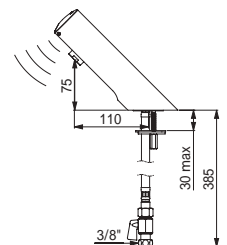
For long lever, please add LH after the reference

TEMPOMATIC 4 basin tap

Electronic tap with integrated battery



Deck-mounted electronic tap



440006

TEMPOMATIC 4 deck-mounted battery-operated basin tap	
With stopcock F $\frac{3}{8}$ "	440006
With stopcock, 15mm compression fittings	44000615
Without stopcock	440106

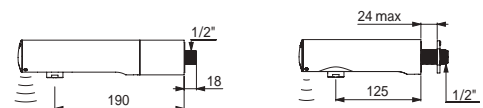
We recommend installing a TMV (see page 70)

TEMPOMATIC 4 wall-mounted basin tap

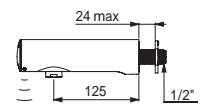
Electronic tap with integrated battery



Wall or panel-mounted electronic tap (M $\frac{1}{2}$ "



443506



443426

TEMPOMATIC 4 wall-mounted, battery-operated basin tap	
L. 125mm	443406
L. 190mm	443506

TEMPOMATIC 4 battery-operated basin tap for panels ≤ 24mm	
L. 125mm	443426
L. 190mm	443526

We recommend installing a TMV (see page 70)



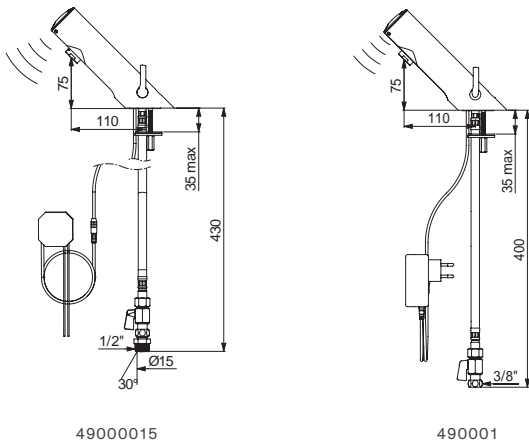
- **Water savings:** 90%
- **Hygiene:** no manual contact, reduced-stagnation solenoid valve, anti-bacterial duty flush
- **Easy to install:** electronic system integrated into the body of the mixer/tap, recessed or plug-in mains supply

TEMPOMATIC MIX 4 basin mixer

Electronic mixer with mains supply



- **230/12V mains supply.**
- **Reduced-stagnation solenoid valve and electronic unit integrated** into the body of the mixer.
- **Flow rate pre-set at 3 lpm** at 3 bar, can be adjusted from 1.5 - 6 lpm.
- **Scale-resistant flow straightener.**
- **Duty flush** (~60 sec. every 24 hours after last use).
- Active, infrared movement detection, sensor at the end of the spout optimises detection.
- Chrome-plated solid brass body.
- Cap fixed in place by 2 concealed screws.
- PEX flexibles with filters and non-return valves.
- Reinforced fixing.
- Anti-blocking safety.
- Side temperature control with adjustable maximum temperature limiter.



49000015

4900001

TEMPOMATIC MIX 4 basin mixer with mains supply

Recessed mains supply

With stopcocks F $\frac{3}{8}$ "	490000
With stopcocks, 15mm compression fittings	49000015
Without stopcocks	490100

Plug-in mains supply

With stopcocks F $\frac{3}{8}$ "	490001
With stopcocks, 15mm compression fittings	49000115
Without stopcocks	490101

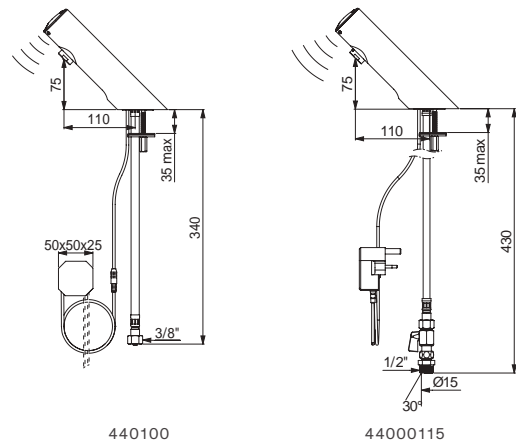
For long lever, please add LH after the reference

TEMPOMATIC 4 basin tap

Electronic tap with mains supply



- **230/12V mains supply.**
- **Reduced-stagnation solenoid valve and electronic unit integrated** into the body of the tap.
- **Flow rate pre-set at 3 lpm** at 3 bar, can be adjusted from 1.5 - 6 lpm.
- **Scale-resistant flow straightener.**
- **Duty flush** (~60 sec. every 24 hours after last use).
- Active, infrared movement detection, sensor at the end of the spout optimises detection.
- Chrome-plated solid brass body.
- Cap fixed in place by 2 concealed screws.
- PEX flexible with filter.
- Reinforced fixing.
- Anti-blocking safety.



440100

44000115

TEMPOMATIC 4 basin tap with mains supply

Recessed mains supply

With stopcock F $\frac{3}{8}$ "	440000
With stopcock, 15mm compression fittings	44000015
Without stopcock	440100

Plug-in mains supply

With stopcock F $\frac{3}{8}$ "	440001
With stopcock, 15mm compression fittings	44000115
Without stopcock	440101

We recommend installing a TMV (see page 70)



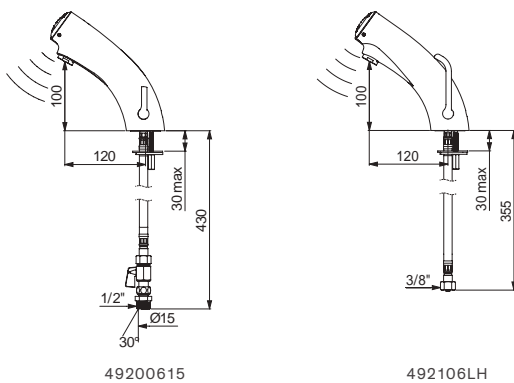
- **Water savings:** 90%
- **Hygiene:** no manual contact, reduced-stagnation solenoid valve, anti-bacterial duty flush
- **Easy to install:** installed in the same way as a conventional mixer, electronic system integrated into the body of the mixer/tap
- **Easy to replace the battery:** after ~350,000 operations, without removing the mixer/tap or shutting off the water supply

TEMPOMATIC MIX 3 basin mixer

Electronic mixer with integrated battery



- **Battery-operated with integrated 223 6V Lithium battery.**
- **Reduced-stagnation solenoid valve and electronic unit integrated** into the body of the mixer.
- **Flow rate pre-set at 3 lpm** at 3 bar, can be adjusted from 1.5 - 6 lpm.
- **Scale-resistant flow straightener.**
- **Duty flush** (~60 sec. every 24 hours after last use).
- Active, infrared presence detection, sensor at the end of the spout optimises detection.
- Chrome-plated solid brass body.
- Cap fixed in place by 2 concealed screws, with pictogram to identify the sensor easily.
- PEX flexibles with filters and non-return valves.
- Reinforced fixing.
- Anti-blocking safety.
- Side temperature control with adjustable maximum temperature limiter.



TEMPOMATIC MIX 3 basin mixer	
With stopcocks F $\frac{3}{8}$ "	492006
With stopcocks, 15mm compression fittings	49200615
Without stopcocks	492106

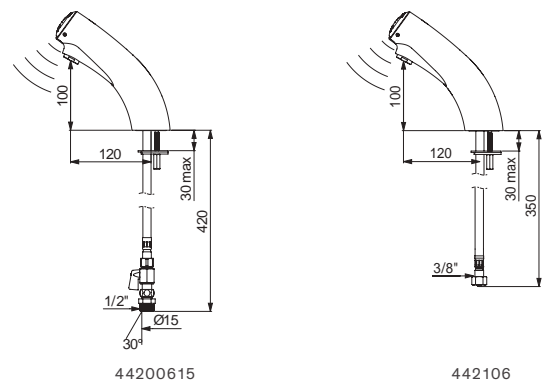
For long lever, please add LH after the reference

TEMPOMATIC 3 basin tap

Electronic tap with integrated battery



- **Battery-operated with integrated 223 6V Lithium battery.**
- **Reduced-stagnation solenoid valve and electronic unit integrated** into the body of the tap.
- **Flow rate pre-set at 3 lpm** at 3 bar, can be adjusted from 1.5 - 6 lpm.
- **Scale-resistant flow straightener.**
- **Duty flush** (~60 sec. every 24 hours after last use).
- Active, infrared presence detection, sensor at the end of the spout optimises detection.
- Chrome-plated solid brass body.
- Cap fixed in place by 2 concealed screws, with pictogram to identify the sensor easily.
- PEX flexible with filter.
- Reinforced fixing.
- Anti-blocking safety.



TEMPOMATIC 3 basin tap	
With stopcock F $\frac{3}{8}$ "	442006
With stopcock, 15mm compression fittings	44200615
Without stopcock	442106

We recommend installing a TMV (see page 70)



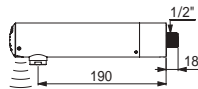
- **Water savings:** 90%
- **Hygiene:** no manual contact, reduced-stagnation solenoid valve, anti-bacterial duty flush
- **Easy to install:** installed in the same way as a conventional tap, electronic system integrated into the body of the tap
- **Easy to replace the battery:** after ~350,000 operations, without removing the tap or shutting off the water supply

TEMPOMATIC 3 wall-mounted basin tap

Electronic tap with integrated battery



- **Battery-operated with integrated 223 6V Lithium battery.**
- **Reduced-stagnation solenoid valve and electronic unit integrated** into the body of the tap.
- **Flow rate pre-set at 3 lpm** at 3 bar, can be adjusted from 1.5 to 6 lpm.
- **Scale-resistant flow straightener.**
- **Duty flush** (~60 seconds every 24 hours after last use).
- Active, infrared presence detection, sensor at the end of the spout optimises detection.
- Chrome-plated solid brass body.
- Cap fixed in place by 2 concealed screws, with pictogram to identify the sensor easily.
- Wall-mounted, M $\frac{1}{2}$ ".
- \varnothing 50mm, L. 190mm.
- Anti-blocking safety.



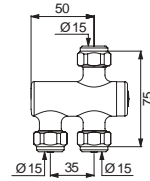
443006

Related products

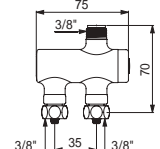


PREMIX NANO

- Thermostatic mixing valve for mixed water distribution 34 - 60°C (for more information, see page 70).



732115/732116



732012/732016

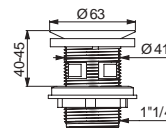
PREMIX NANO (KV 7 l/min)

Nickel-plated body, FM $\frac{3}{8}$ "	732012
Polished chrome-plated body, FM $\frac{3}{8}$ "	732016
Nickel-plated body, M $\frac{1}{2}$ "	732115
Polished chrome-plated body, M $\frac{1}{2}$ "	732116



HYGIÉNA waste M1 $\frac{1}{4}$ "

- Concave grid.
- **Free flow, without central screw** (for more information, see page 69).



611

HYGIÉNA waste	611
---------------	------------



ECO flow straightener

- Flow straightener pre-set at 3 lpm (DELABIE patented).
- **Flow rate can be adjusted from 1.5 to 6 lpm** at 3 bar (depending on mixer/tap).
- 2 per pack (for more information, see page 37).



922024.2P

ECO flow straightener	
M24/100 (2 per pack)	922024.2P
F22/100 (2 per pack)	922022.2P

TEMPOMATIC 3 wall-mounted basin tap	443006
We recommend installing a TMV (see page 70)	



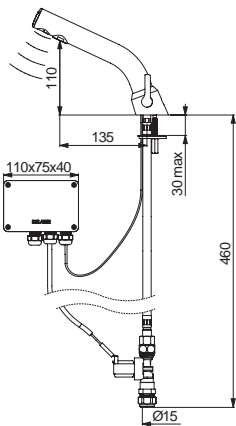
- **Water savings:** 90%
- **Hygiene:** no manual contact, anti-bacterial duty flush, spout with smooth interior and low water volume, reduced-stagnation solenoid valve on battery-operated models
- **Maintenance:** LED diagnostic aids

BINOPTIC MIX basin mixer

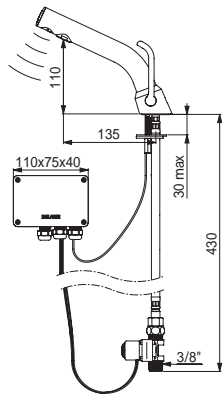
Electronic mixer, mains supply or battery-operated



- **Independent IP65 electronic control unit.**
- **230/12V mains supply with transformer or 123 6V Lithium battery.**
- **Flow rate pre-set at 3 lpm** at 3 bar, can be adjusted from 1.5 - 6 lpm.
- **Scale-resistant flow straightener.**
- **Adjustable duty flush**
(pre-set flush ~60 sec. every 24 hours after last use).
- Active, infrared presence detection, sensor at the end of the spout optimises detection.
- Chrome-plated brass body.
- PEX flexibles with filters and solenoid valves.
- Reinforced fixing.
- Anti-blocking safety.
- **Spout with smooth interior and low water volume**
(reduces bacterial development).
- Side temperature control with adjustable maximum temperature limiter.



378MCH15



478MCHLH

BINOPTIC MIX basin mixer

230/12V mains supply

M $\frac{3}{8}$ "	378MCH
15mm compression fittings	378MCH15

6V Lithium battery-operated

M $\frac{3}{8}$ "	478MCH
15mm compression fittings	478MCH15

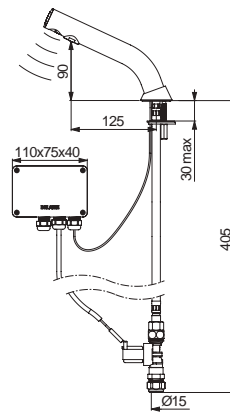
For long lever, please add LH after the reference

BINOPTIC basin tap

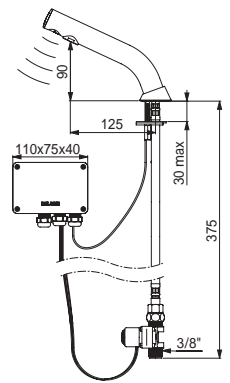
Electronic tap, mains supply or battery-operated



- **Independent IP65 electronic control unit.**
- **230/12V mains supply with transformer or 123 6V Lithium battery.**
- **Flow rate pre-set at 3 lpm** at 3 bar, can be adjusted from 1.5 - 6 lpm.
- **Scale-resistant flow straightener.**
- **Adjustable duty flush**
(pre-set flush ~60 sec. every 24 hours after last use).
- Active, infrared presence detection, sensor at the end of the spout optimises detection.
- Chrome-plated brass body.
- PEX flexible with filter and solenoid valve.
- Reinforced fixing.
- Anti-blocking safety.
- **Spout with smooth interior and low water volume**
(reduces bacterial development).



37801515



478015

BINOPTIC basin tap

230/12V mains supply, M $\frac{3}{8}$ "	378015
230/12V mains supply, 15mm compression fittings	37801515
6V Lithium battery-operated, M $\frac{3}{8}$ "	478015
6V Lithium battery-operated, 15mm compression fittings	47801515

We recommend installing a TMV (see page 70)



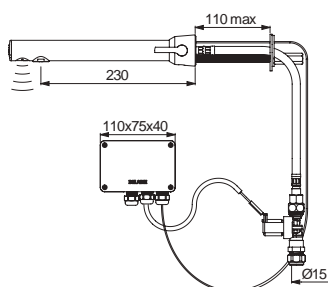
- **Water savings:** 90%
- **Hygiene:** no manual contact, anti-bacterial duty flush, spout with smooth interior and low water volume
- **Maintenance:** LED diagnostic aids

BINOPTIC MIX mixer for basins, sinks or troughs

Cross wall electronic mixer with mains supply



- **Independent IP65 electronic control unit.**
- **230/12V mains supply with transformer.**
- **Flow rate pre-set at 3 lpm** at 3 bar, can be adjusted from 1.5 - 6 lpm.
- **Scale-resistant flow straightener.**
- **Adjustable duty flush**
(pre-set flush ~60 sec. every 24 hours after last use).
- Active, infrared presence detection, sensor at the end of the spout optimises detection.
- Filters and solenoid valves.
- Chrome-plated brass body.
- Chrome-plated spout for cross wall installation ≤ 110mm.
- Cable for sensor, flexibles and mounting all pass through the same hole.
- Anti-blocking safety.
- **Spout with smooth interior and low water volume**
(reduces bacterial development).
- Side temperature control with adjustable maximum temperature limiter.



379MCH15

BINOPTIC MIX cross wall mixer for basins, sinks and troughs

230/12V mains supply

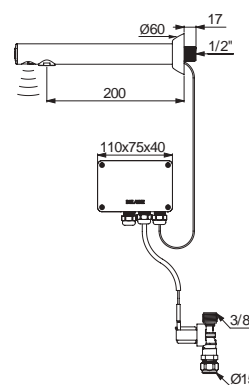
M¾"	379MCH
15mm compression fittings	379MCH15
M¾", with long control lever	379MCHL

BINOPTIC tap for basins, sinks or troughs

Wall-mounted electronic tap with mains supply



- **Independent IP65 electronic control unit.**
- **230/12V mains supply with transformer.**
- **Flow rate pre-set at 3 lpm** at 3 bar, can be adjusted from 1.5 - 6 lpm.
- **Scale-resistant flow straightener.**
- **Adjustable duty flush**
(pre-set flush ~60 sec. every 24 hours after last use).
- Active, infrared presence detection, sensor at the end of the spout optimises detection.
- Filter and solenoid valve.
- Chrome-plated brass body.
- Chrome-plated spout for recessed or cross wall installation ≤ 190mm.
- Anti-blocking safety.
- **Spout with smooth interior and low water volume**
(reduces bacterial development).



379ENC15

BINOPTIC wall-mounted tap for basins, sinks and troughs

230/12V mains supply

Recessed spout L. 200mm, M¾"	379ENC
Recessed spout L. 200mm, 15mm compression fitting	379ENC15
For wall, L. 205mm, M¾"	379DER
For wall, L. 205mm, 15mm compression fitting	379DER15
For wall, L. 135mm, M¾"	379D13
For wall, L. 135mm, 15mm compression fitting	379D1315

We recommend installing a TMV (see page 70)



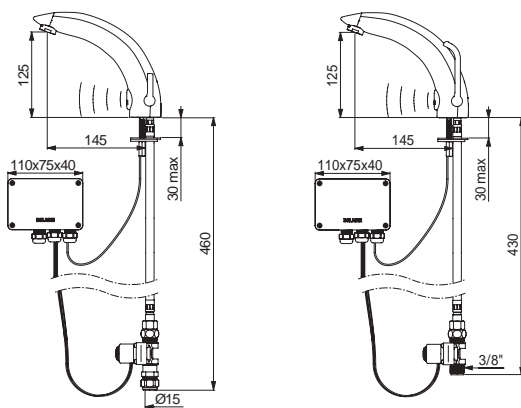
- **Water savings:** 90%
- **Hygiene:** no manual contact, anti-bacterial duty flush, reduced-stagnation solenoid valve
- **Maintenance:** LED diagnostic aids

TEMPOMATIC MIX 2 basin mixer

Electronic battery-operated mixer



- **Independent IP65 electronic control unit.**
- **Battery-operated with 123 6V Lithium battery.**
- **Flow rate pre-set at 3 lpm** at 3 bar, can be adjusted from 1.5 to 6 lpm.
- **Scale-resistant flow straightener.**
- **Adjustable duty flush**
(pre-set flush ~60 sec. every 24 hours after last use).
- Shock-resistant infrared presence detection sensor.
- Chrome-plated solid brass body.
- PEX flexibles with filters and reduced-stagnation solenoid valves.
- Reinforced fixing.
- Anti-blocking safety.
- Side temperature control with adjustable maximum temperature limiter.



49400615

494006LH

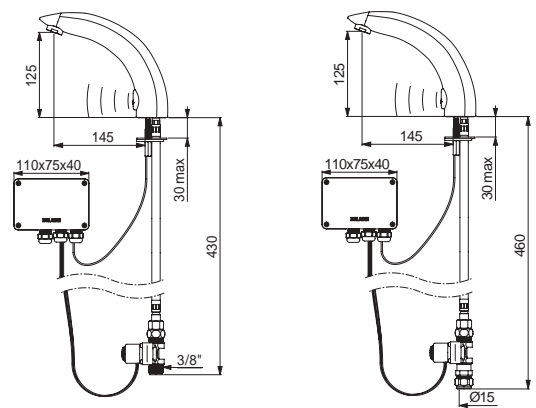
TEMPOMATIC MIX 2 battery-operated basin mixer	
M $\frac{3}{8}$ "	494006
15mm compression fittings	49400615
For long lever, please add LH after the reference	

TEMPOMATIC 2 basin tap

Electronic battery-operated tap



- **Independent IP65 electronic control unit.**
- **Battery-operated with 123 6V Lithium battery.**
- **Flow rate pre-set at 3 lpm** at 3 bar, can be adjusted from 1.5 to 6 lpm.
- **Scale-resistant flow straightener.**
- **Adjustable duty flush**
(pre-set flush ~60 sec. every 24 hours after last use).
- Shock-resistant infrared presence detection sensor.
- Chrome-plated solid brass body.
- PEX flexible with filter and reduced-stagnation solenoid valve.
- Reinforced fixing.
- Anti-blocking safety.



444006

44400615

TEMPOMATIC 2 battery-operated basin tap	
M $\frac{3}{8}$ "	444006
15mm compression fittings	44400615
We recommend installing a TMV (see page 70)	



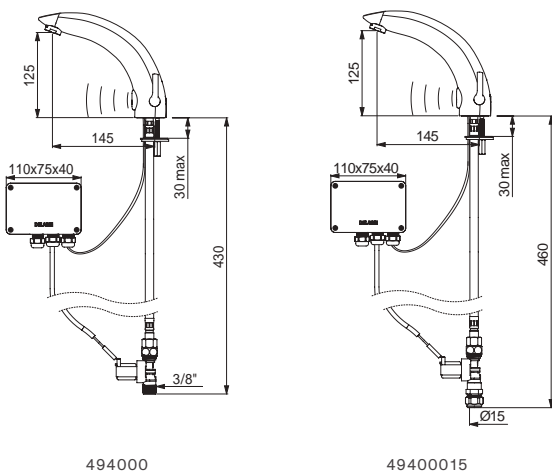
- **Water savings:** 90%
- **Hygiene:** no manual contact and anti-bacterial duty flush
- **Maintenance:** LED diagnostic aids

TEMPOMATIC MIX 2 basin mixer

Electronic mixer with mains supply



- **Independent IP65 electronic control unit.**
- **230/12V mains supply with transformer.**
- **Flow rate pre-set at 3 lpm** at 3 bar, can be adjusted from 1.5 to 6 lpm.
- **Scale-resistant flow straightener.**
- **Adjustable duty flush**
(pre-set flush ~60 sec. every 24 hours after last use).
- Shock-resistant infrared presence detection sensor.
- Chrome-plated solid brass body.
- PEX flexibles with filters and solenoid valves.
- Reinforced fixing.
- Anti-blocking safety.
- Side temperature control with adjustable maximum temperature limiter.



494000

49400015

TEMPOMATIC MIX 2 mains supply basin mixer

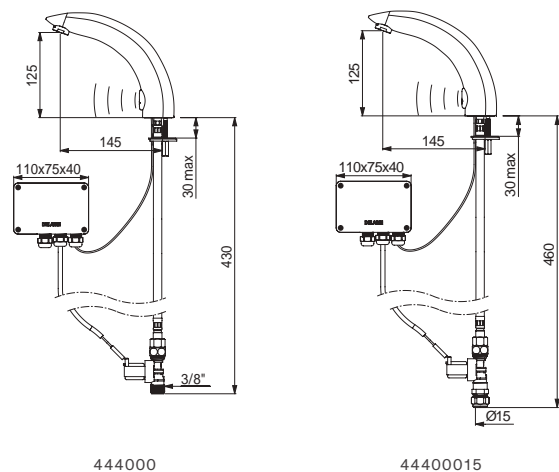
M $\frac{3}{8}$ "	494000
15mm compression fittings	49400015
<i>For long lever, please add LH after the reference</i>	

TEMPOMATIC 2 basin tap

Electronic tap with mains supply



- **Independent IP65 electronic control unit.**
- **230/12V mains supply with transformer.**
- **Flow rate pre-set at 3 lpm** at 3 bar, can be adjusted from 1.5 to 6 lpm.
- **Scale-resistant flow straightener.**
- **Adjustable duty flush**
(pre-set flush ~60 sec. every 24 hours after last use).
- Shock-resistant infrared presence detection sensor.
- Chrome-plated solid brass body.
- PEX flexible with filter and solenoid valve.
- Reinforced fixing.
- Anti-blocking safety.



444000

44400015

TEMPOMATIC 2 mains supply basin tap

M $\frac{3}{8}$ "	444000
15mm compression fittings	44400015
<i>We recommend installing a TMV (see page 70)</i>	



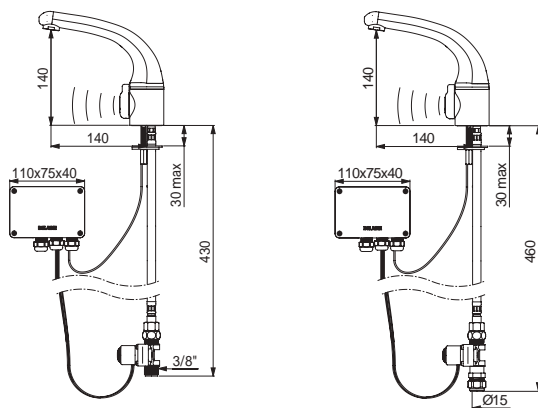
- **Water savings:** 90%
- **Hygiene:** no manual contact, anti-bacterial duty flush, removable spout, reduced-stagnation solenoid valve
- **Maintenance:** LED diagnostic aids

TEMPOMATIC MIX basin mixer

Battery-operated electronic mixer



- **Independent IP65 electronic control unit.**
- **Battery-operated with 123 6V Lithium battery.**
- **Flow rate pre-set at 3 lpm** at 3 bar, can be adjusted from 1.5 - 6 lpm.
- **Scale-resistant flow straightener.**
- **Adjustable duty flush**
(pre-set flush ~60 sec. every 24 hours after last use).
- Shock-resistant, infrared presence detection sensor.
- Chrome-plated solid brass body.
- PEX flexibles with filters and reduced-stagnation solenoid valves.
- Reinforced fixing.
- Anti-blocking safety.
- **Removable spout** for cleaning.
- Central temperature control with adjustable maximum temperature limiter.



495006

49500615

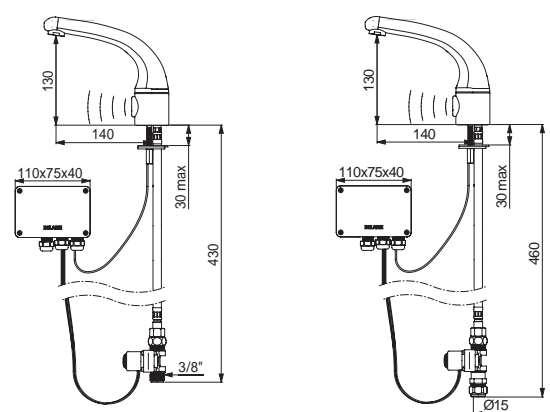
TEMPOMATIC MIX battery-operated basin mixer	
M $\frac{3}{8}$ "	495006
15mm compression fittings	49500615

TEMPOMATIC basin tap

Battery-operated electronic tap



- **Independent IP65 electronic control unit.**
- **Battery-operated with 123 6V Lithium battery.**
- **Flow rate pre-set at 3 lpm** at 3 bar, can be adjusted from 1.5 - 6 lpm.
- **Scale-resistant flow straightener.**
- **Adjustable duty flush**
(pre-set flush ~60 sec. every 24 hours after last use).
- Shock-resistant, infrared presence detection sensor.
- Chrome-plated solid brass body.
- PEX flexible with filter and reduced-stagnation solenoid valve.
- Reinforced fixing.
- Anti-blocking safety.
- **Removable spout** for cleaning.



445006

44500615

TEMPOMATIC battery-operated basin tap	
M $\frac{3}{8}$ "	445006
15mm compression fittings	44500615

[We recommend installing a TMV \(see page 70\)](#)



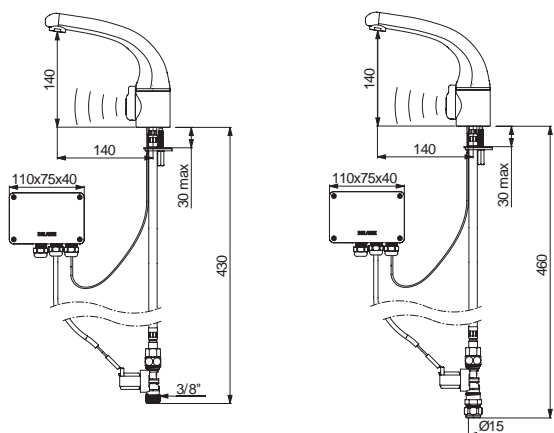
- **Water savings:** 90%
- **Hygiene:** no manual contact, anti-bacterial duty flush, removable spout
- **Maintenance:** LED diagnostic aids

TEMPOMATIC MIX basin mixer

Electronic mixer with mains supply



- **Independent IP65 electronic control unit.**
- **230/12V mains supply with transformer.**
- **Flow rate pre-set at 3 lpm** at 3 bar, can be adjusted from 1.5 - 6 lpm.
- **Scale-resistant flow straightener.**
- **Adjustable duty flush**
(pre-set flush ~60 sec. every 24 hours after last use).
- Shock-resistant, infrared presence detection sensor.
- Chrome-plated solid brass body.
- PEX flexibles with filters and solenoid valves.
- Reinforced fixing.
- Anti-blocking safety.
- **Removable spout** for cleaning.
- Central temperature control with adjustable maximum temperature limiter.



495000

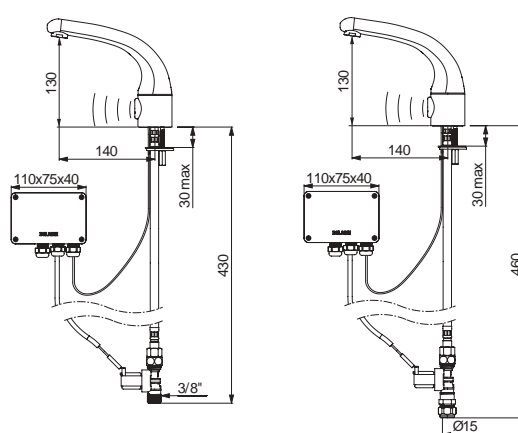
49500015

TEMPOMATIC basin tap

Electronic tap with mains supply



- **Independent IP65 electronic control unit.**
- **230/12V mains supply with transformer.**
- **Flow rate pre-set at 3 lpm** at 3 bar, can be adjusted from 1.5 - 6 lpm.
- **Scale-resistant flow straightener.**
- **Adjustable duty flush**
(pre-set flush ~60 sec. every 24 hours after last use).
- Shock-resistant, infrared presence detection sensor.
- Chrome-plated solid brass body.
- PEX flexible with filter and solenoid valve.
- Reinforced fixing.
- Anti-blocking safety.
- **Removable spout** for cleaning.



445000

44500015

TEMPOMATIC MIX basin mixer mains supply	
M3/8"	495000
15mm compression fittings	49500015

TEMPOMATIC basin tap mains supply	
M3/8"	445000
15mm compression fittings	44500015
We recommend installing a TMV (see page 70)	



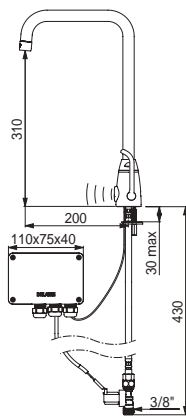
- **Water savings:** 90%
- **Hygiene:** no manual contact, anti-bacterial duty flush, reduced-stagnation solenoid valve on battery-operated models, removable spout with smooth interior
- **Comfort:** mains supply models have several shut-off options available

TEMPOMATIC MIX PRO basin mixer

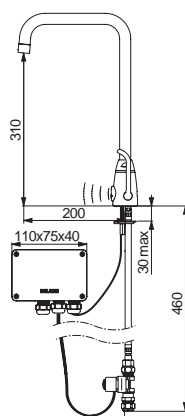
Electronic mixer, battery-operated or mains supply



- **Independent IP65 electronic control unit.**
 - **230/12V mains supply with transformer or battery-operated with 123 6V Lithium battery.**
 - **Flow rate pre-set at 3 lpm** at 3 bar, can be adjusted from 1.5 to 6 lpm.
 - **Scale-resistant flow straightener.**
 - **Adjustable duty flush** (pre-set flush ~60 sec. every 24 hours after last use).
 - Shock-resistant infrared presence detection sensor.
 - Chrome-plated solid brass body with reinforced fixing.
 - PEX flexibles with filters and solenoid valves.
 - **Swivel spout with smooth interior** (limits bacterial niches).
 - **Removable spout** for cleaning.
 - Anti-blocking safety.
 - Side temperature control with ergonomic LH lever and adjustable maximum temperature limiter.
- Two shut-off options on 230/12V models:**
- > **Standard mode:** timed flow with automatic shut-off.
 - > **On/Off mode:** user shuts off flow voluntarily or automatic shut-off after 30 minutes.



495253



49525715

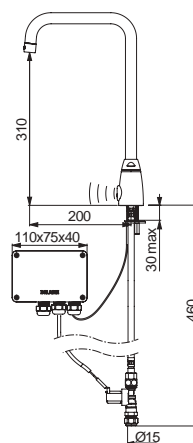
TEMPOMATIC MIX PRO basin, sink/trough mixer H. 310mm L. 200mm	
230/12V mains supply, M $\frac{3}{8}$ "	495253
230/12V mains supply, 15mm compression fittings	49525315
6V Lithium battery-operated, M $\frac{3}{8}$ "	495257
6V Lithium battery-operated, 15mm compression fittings	49525715

TEMPOMATIC PRO basin tap

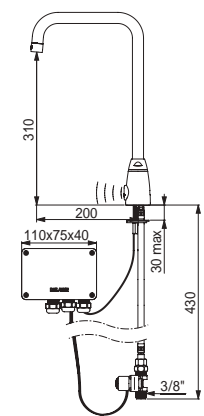
Electronic tap, battery-operated or mains supply



- **Independent IP65 electronic control unit.**
 - **230/12V mains supply with transformer or battery-operated with 123 6V Lithium battery.**
 - **Flow rate pre-set at 3 lpm** at 3 bar, can be adjusted from 1.5 to 6 lpm.
 - **Scale-resistant flow straightener.**
 - **Adjustable duty flush** (pre-set flush ~60 sec. every 24 hours after last use).
 - Shock-resistant infrared presence detection sensor.
 - Chrome-plated solid brass body with reinforced fixing.
 - PEX flexible with filter and solenoid valve.
 - **Swivel spout with smooth interior** (limits bacterial niches).
 - **Removable spout** for cleaning.
 - Anti-blocking safety.
- Two shut-off options on 230/12V models:**
- > **Standard mode:** timed flow with automatic shut-off.
 - > **On/Off mode:** user shuts off flow voluntarily or automatic shut-off after 30 minutes.



44525315



445257

TEMPOMATIC PRO basin, sink/trough tap H. 310mm L. 200mm	
230/12V mains supply, M $\frac{3}{8}$ "	445253
230/12V mains supply, 15mm compression fittings	44525315
6V Lithium battery-operated, M $\frac{3}{8}$ "	445257
6V Lithium battery-operated, 15mm compression fittings	44525715

We recommend installing a TMV (see page 70)



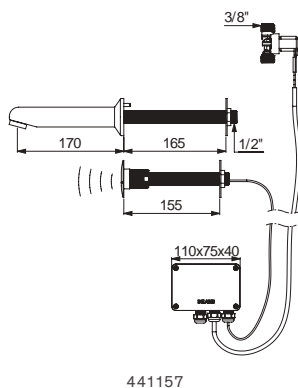
- **Water savings:** 90%
- **Hygiene:** no manual contact and anti-bacterial duty flush
- **Vandal resistant:** cross wall installation
- **Maintenance:** LED diagnostic aids

TEMPOMATIC basin tap

Cross wall electronic tap with mains supply



- **Independent IP65 electronic control unit.**
- **230/12V mains supply with transformer.**
- **Flow rate pre-set at 3 lpm** at 3 bar, can be adjusted from 1.5 to 6 lpm.
- **Scale-resistant flow straightener.**
- **Adjustable duty flush** (pre-set flush ~60 sec. every 24 hours after last use).
- Shock-resistant infrared presence detection sensor for walls ≤ 155mm.
- Anti-blocking safety.
- Solenoid valve with integrated filter.
- Chrome-plated fixed spout L. 170mm for walls ≤ 165mm with anti-rotating pin.
- Wall plate flush to the wall.
- Threaded rods can be cut to size.



441157

TEMPOMATIC cross wall tap	
M $\frac{3}{8}$ "	441157
15mm compression fittings	44115715

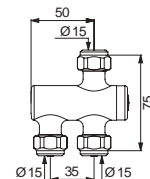
We recommend installing a TMV (see page 70)
Other spout and cross wall lengths available on request

Related products

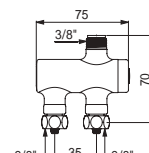


PREMIX NANO

- Thermostatic mixing valve for mixed water distribution 34 - 60°C (for more information, see page 70).



732115/732116



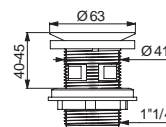
732012/732016

PREMIX NANO (KV 7 l/min)	
Nickel-plated body, FM $\frac{3}{8}$ "	732012
Polished chrome-plated body, FM $\frac{3}{8}$ "	732016
Nickel-plated body, M $\frac{1}{2}$ "	732115
Polished chrome-plated body, M $\frac{1}{2}$ "	732116



HYGIÉNA waste M1 $\frac{1}{4}$ "

- Concave grid.
- **Free flow, without central screw** (for more information, see page 69).



611

HYGIÉNA waste	
	611



ECO flow straightener

- Flow straightener pre-set at 3 lpm (DELABIE patented).
- **Flow rate can be adjusted from 1.5 to 6 lpm** at 3 bar (depending on mixer/tap).
- 2 per pack (for more information, see page 37).



922024.2P

ECO flow straightener	
M24/100 (2 per pack)	922024.2P
F22/100 (2 per pack)	922022.2P



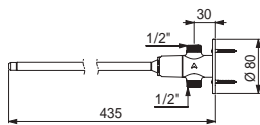
- **Water savings:** 85%
- **Resistant to intensive use:** reinforced fixing and rod
- **Hygiene:** no manual contact, automatic timed shut-off

TEMPOGENOU

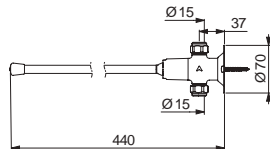
Knee-operated time flow basin valve



- **Time flow ~ 7 sec.**
- **Flow rate pre-set at 3 lpm** at 3 bar, can be adjusted from 1.5 - 6 lpm.
- Control lever reinforced by an internal stainless steel rod.
- Solid brass wall plate with reinforced fixing via 4 stainless steel screws.
- Cold or mixed water supply.
- **Straight** for in-line inlet.



735400



73544715

TEMPOGENOU straight for in-line inlet	
M1/2"	735400
Ø 15mm compression fittings	735447
Ø 15mm compression fittings + olives	73544715

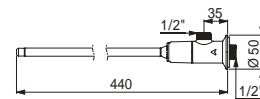
Option: Spouts (see pages 36 and 37)
We recommend installing a TMV (see page 70)

TEMPOGENOU

Knee-operated time flow basin valve



- **Time flow ~ 7 sec.**
- **Flow rate pre-set at 3 lpm** at 3 bar, can be adjusted from 1.5 - 6 lpm.
- Control lever reinforced by an internal stainless steel rod.
- Cold or mixed water supply.
- **M1/2" angled** for recessed inlet.



734100

TEMPOGENOU angled for recessed inlet	
	734100

Option: Spouts (see pages 36 and 37)
We recommend installing a TMV (see page 70)



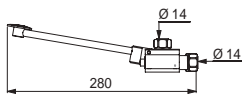
- **Hygiene:** no manual contact, automatic instant shut-off
- **Comfort:** instant shut-off

MIXFOOT

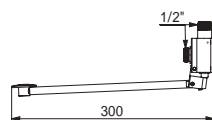
Foot-operated basin mixer with instant shut-off



- **Instant automatic shut-off.**
- **Pedal can be raised for cleaning the floor.**
- Adjustable pedal height.
- Fixed by 4 screws.
- Filters.
- Pre-set mixing (can be adjusted) - half open for cold water and fully open for mixed water (pedal touching the floor).
- **Available for floor or wall-mounting.**



739000



739102

MIXFOOT mixer	
Floor-mounted, stud nut Ø 14mm	739000
Floor-mounted M1/2"	739100
Wall-mounted M1/2"	739102

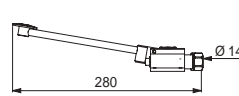
Option: Spouts (see pages 36 and 37)

MONOFOOT

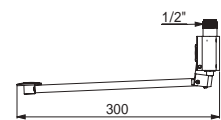
Foot-operated basin valve with instant shut-off



- **Instant automatic shut-off.**
- **Pedal can be raised for cleaning the floor.**
- Adjustable pedal height.
- Fixed by 4 screws.
- Filter.
- Cold or mixed water supply.
- **Available for floor or wall-mounting.**



736001



736102

MONOFOOT valve	
Floor-mounted, stud nut Ø 14mm	736001
Floor-mounted M1/2"	736101
Wall-mounted M1/2"	736102

Option: Spouts (see pages 36 and 37)
We recommend installing a TMV (see page 70)



Specialist Products

STAINLESS STEEL
SANITARY WARE
60



WATER FOUNTAINS
62



SERVICE TAPS
64



HOSE REEL
& OVEN CLEANER
65





- **Superior durability and endurance:** made from durable and resistant material, suitable for intensive use
- **Maximum hygiene:** Stainless steel, a material that limits bacterial development
- **Easy to install and maintain:** easy to install, minimal adjustment required, easy access to components

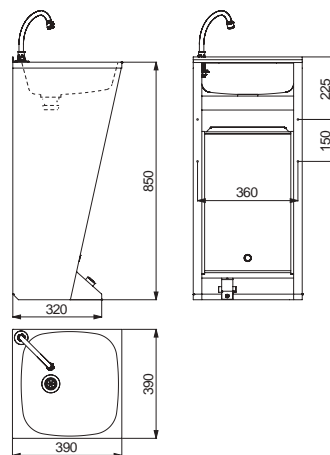
SXL hand washbasin

Floor-standing

NEW



- Floor-standing, foot-operated hand washbasin.
- Can be wall-mounted and/or floor-standing.
- Bacteriostatic 304 stainless steel.
- Stainless steel thickness: 1mm.
- Supplied with swan neck spout and time flow tap with 7 seconds time flow.
- Easy to maintain: access panel at the front.
- Supplied with 1 1/4" waste.
- Without overflow.
- Supplied with fixing elements.
- CE marked. Complies with European standard EN 14688.
- Weight: 10kg.



3410300003/3410300103

Floor-standing SXL hand washbasin with integrated tap

Polished satin 304 stainless steel		3410300003
Bright polished 304 stainless steel		3410300103

: dispatch within 6 weeks

: stock item



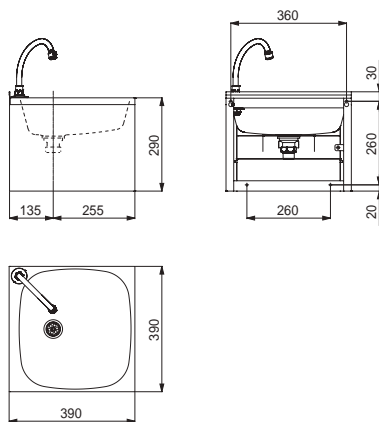
- **Superior durability and endurance:** made from durable and resistant material, suitable for intensive use
- **Maximum hygiene:** Stainless steel, a material that limits bacterial development
- **Easy to install and maintain:** easy to install, minimal adjustment required, easy access to components

SXS hand washbasin

Wall-mounted



- Wall-mounted, knee-operated hand washbasin.
- Bacteriostatic 304 stainless steel.
- Stainless steel thickness: 1mm.
- Supplied with swan neck spout and time flow tap with 7 seconds time flow.
- Supplied with 1¼" waste.
- Without overflow.
- Supplied with fixing elements.
- CE marked. Complies with European standard EN 14688.
- Weight: 5kg.




3411310003/3411310103

Wall-mounted SXS hand washbasin with integrated tap

Polished satin 304 stainless steel

 **3411310003**

Bright polished 304 stainless steel

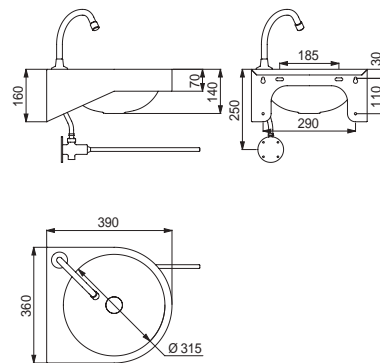
 **3411310103**

GENOU hand washbasin

Wall-mounted




- Wall-mounted, knee-operated hand washbasin.
- Bacteriostatic 304 stainless steel.
- Stainless steel thickness: 1.2mm.
- Rounded edges prevent injury.
- Supplied with swan neck spout and time flow tap with 7 seconds time flow.
- Supplied with 1¼" waste.
- Without overflow.
- Supplied with fixing elements.
- CE marked. Complies with European standard EN 14688.
- Weight: 5kg.




0211030003

Wall-mounted GENOU hand washbasin with integrated tap

Polished satin 304 stainless steel

 **0211030003**

 : dispatch within 6 weeks

 : stock item



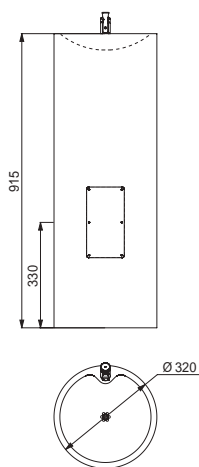
- **Superior durability and endurance:** made from durable and resistant material, suitable for intensive use
- **Maximum hygiene:** Stainless steel, a material that limits bacterial development
- **Easy to install and maintain:** easy to install, minimal adjustment required, easy access to components

ILHA drinking fountain

Floor-standing



- Floor-standing drinking fountain.
- Can be wall-mounted and/or floor-standing.
- Bacteriostatic 304 stainless steel. Stainless steel thickness: 1.5mm.
- Height: 915mm.
- Supplied with bubbler tap: chrome-plated, instant shut-off and adjustable flow rate, inlet M $\frac{3}{8}$ ".
- Flat perforated waste, without screws: easy to clean and vandal-resistant.
- Recessed horizontal water outlet.
- Waste outlet 1 $\frac{1}{4}$ ".
- Supplied with fixing elements.
- Weight: 9.6kg.



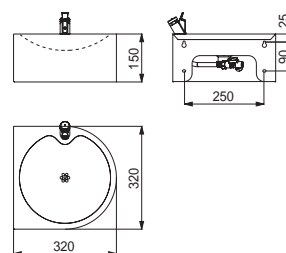
0810100000

SD drinking fountain

Wall-mounted



- Wall-mounted drinking fountain.
- Bacteriostatic 304 stainless steel.
- Stainless steel thickness: 1.5mm.
- Rounded edges prevent injury.
- Supplied with bubbler tap: chrome-plated, instant shut-off and adjustable flow rate, inlet M $\frac{3}{8}$ ".
- Flat perforated waste, without screws: easy to clean and vandal-resistant.
- Recessed horizontal water outlet.
- Waste outlet 1 $\frac{1}{4}$ ".
- Supplied with fixing elements.
- Weight: 2.4kg.



0811080000

Floor-standing ILHA water fountain with integrated bubbler tap

Polished satin 304 stainless steel

0810100000

: dispatch within 6 weeks

: stock item

Wall-mounted SD drinking fountain with integrated bubbler tap

Polished satin 304 stainless steel

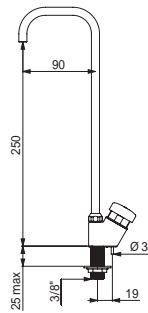
0811080000

Swan neck tap

For water fountains



- Instant shut-off.
- Adjustable flow rate.

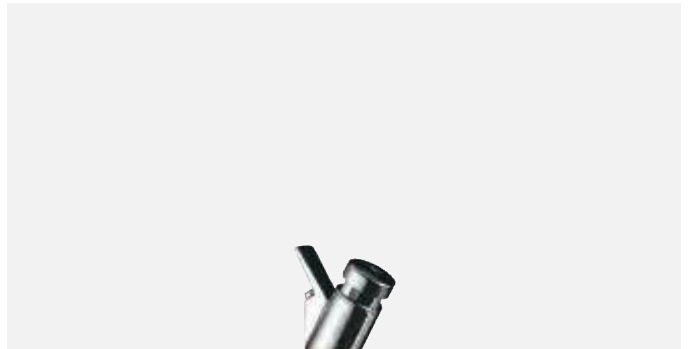


311QU1

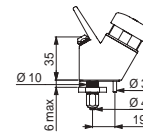
Swan neck tap	
For Rilsan tube 4×6	311TR1
M $\frac{3}{8}$ "	311QU1

Bubbler tap

For water fountains



- Instant shut-off.
- Adjustable flow rate.

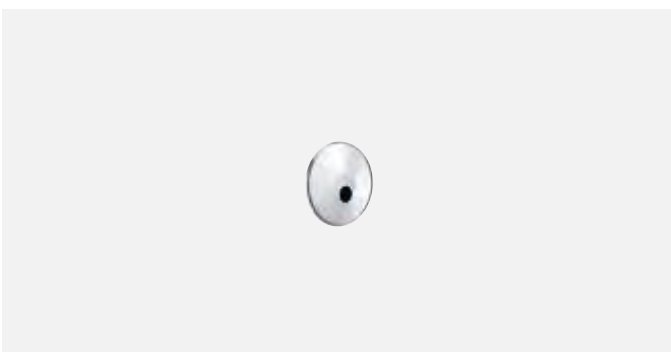


312TR1

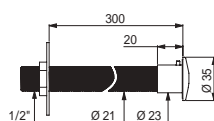
Bubbler tap	
For Rilsan tube 4×6	312TR1
M $\frac{3}{8}$ "	312QU1

Bubbler

For cross wall installation



- Chrome-plated solid brass.
- **30° angle.**
- Anti-rotating pin and back nut.
- **For walls ≤ 300mm.**
- Threaded rod can be cut to size.
- M $\frac{1}{2}$ " inlet.



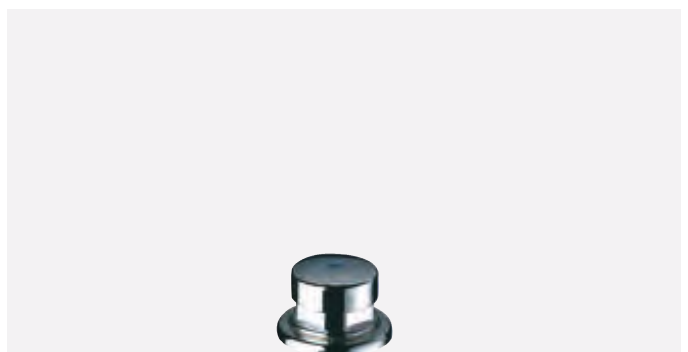
318300

Cross wall bubbler	
	318300

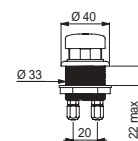
We recommend non-contact mixers/taps (see pages 44-57)

Push-button control

For swan neck tap and bubbler



- Instant shut-off.
- For swan neck spout and bubbler.
- Connector for Rilsan tube 4×6.



319T61

Push-button control	
	319T61

We recommend a swan neck spout (see page 37) and bubbler (see opposite)



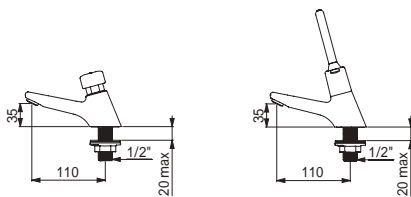
- **Water savings:** 90%
- **Vandal-resistant:** solid brass

TEMPOSTOP

Deck-mounted time flow tap



- **Time flow ~ 7 seconds.**
- **Flow rate pre-set at 3 lpm** at 3 bar, can be adjusted.
- **Tamperproof, scale-resistant flow straightener.**
- Chrome-plated solid brass body.



745100

745440

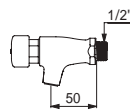
TEMPOSTOP tap	
Push-button, M $\frac{1}{2}$ "	745100
Push-button, \varnothing 15mm	745250
Lever-operated, M $\frac{1}{2}$ "	745440
Lever-operated, \varnothing 15mm	745450

TEMPOSTOP

Wall-mounted time flow tap



- **Time flow ~ 7 seconds.**
- **Flow rate pre-set at 3 lpm** at 3 bar, can be adjusted.
- **Tamperproof, scale-resistant flow straightener.**
- Chrome-plated solid brass body, M $\frac{1}{2}$ ".



746000

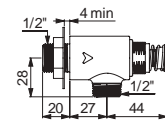
TEMPOSTOP tap	746000
----------------------	---------------

TEMPOSTOP

Basin tap



- **Time flow ~ 7 seconds.**
- **Flow rate pre-set at 3 lpm** at 3 bar, can be adjusted.
- Rough cast body for installation behind hand-wash basin wall plate.
- M $\frac{1}{2}$ " inlet.



748126

TEMPOSTOP tap	
With chrome-plated push-button	748626
Without push-button	748126

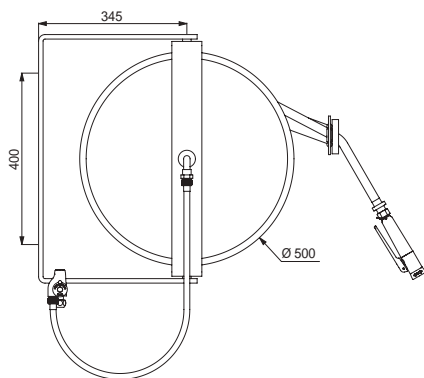


- **Safety:** integrated backflow prevention device
- **Ergonomic:** Hand spray handle made from non-slip, reinforced polypropylene
- **Easy to clean:** Smooth surfaces are easy to clean

Auto-rewind steel hose reel



- **Swivelling, wall-mounted base rotates 180°.**
- **20m flexible hose available with guide rollers.**
- Maximum temperature 60°C.
- **Flow rate 14 lpm**, 11.5 lpm at hand spray outlet.
- Steel base and drum Ø 500mm (width 140mm), epoxy coated finish.
- Trigger-operated hand spray with adjustable jet and reinforced flexible hose.
- **Angled stopcock with integrated backflow prevention device** prevents backflow of polluted water into the mains supply.



5675T2

Auto-rewind steel hose reel

5675T2

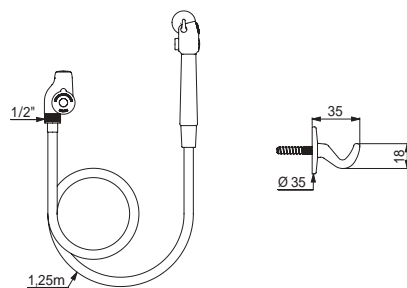
Option: floor traps (see page 71)

Standard oven cleaner



- Oven cleaner with **stopcock with ceramic discs.**
- **Integrated backflow prevention device and non-return valve.**
- White, opaque reinforced PVC flexible hose FF 1/2", L. 1.25m.
- **Push-button operated hand spray.**
- Chrome-plated, wall-mounted brass hook.

Can be fitted with a time flow valve on request.



D275059

Standard oven cleaner

D275059



Additional fittings

CATERING
ADDITIONAL
FITTINGS
68



GROUP
THERMOSTATIC
MIXING VALVES
70



FLOOR
TRAPS
71



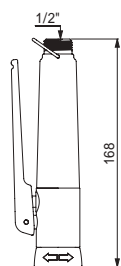
SOAP
DISPENSERS
72



M¹/₂" hand spray



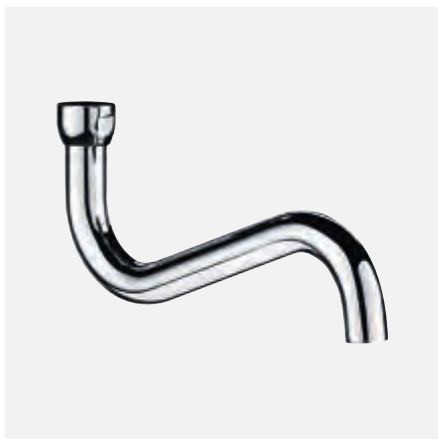
- Hand spray with **adjustable jet** and shock-resistant tip.
- Scale-resistant diffuser (nozzle has no grid).
- **Two jet options:** rain effect - 8 lpm at 3 bar or concentrated jet - 9 lpm at 3 bar.
- **Reinforced polypropylene** handle with non-slip grip for improved grip.
- Chrome-plated solid brass.
- Hand spray can be locked in open position using integrated collar.



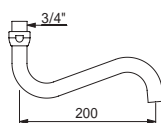
433010

M ¹ / ₂ " hand spray	
White	433000
Black	433010

Swivelling, tubular spout



- Ø 22mm swivelling, tubular spout.
- F³/₄".
- Chrome-plated brass.
- Spout with smooth interior: reduces niches where bacteria can develop.
- Star-shaped, brass flow straightener.



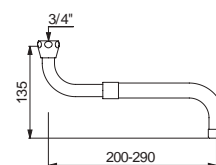
943200110

Swivelling, tubular spout	
L. 200mm	943200110
L. 300mm	943300110

Universal, telescopic spout



- Universal, telescopic spout.
- F³/₄".
- Chrome-plated solid brass.
- Suitable for mounting above or below a wall-mounted mixer.
- Flow straightener.



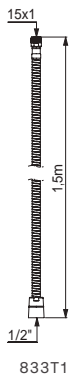
966230

Universal, telescopic spout	
L. 200 - 290mm	966230
L. 300 - 470mm	966380

Reinforced flexible hose



- Flexible hose L. 1.50m for retracting hand sprays with counterweight.
- Conical F½" union and cylindrical M15×1 union.



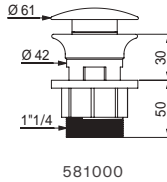
Reinforced flexible hose	
Metal	833T1
Nylon	835T1

ON/OFF waste

Waste with stainless steel valve



- Washbasin waste M1¼" with stainless steel valve **with free flow**.
- Recommended for all washbasins equipped with electronic or time flow mixers/taps and washbasins with overflow.
- Open/close by simply pressing the top of the waste.



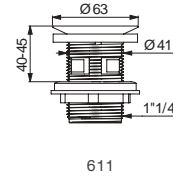
ON/OFF waste	581000
---------------------	---------------

HYGIÉNA waste

Waste with concave grid



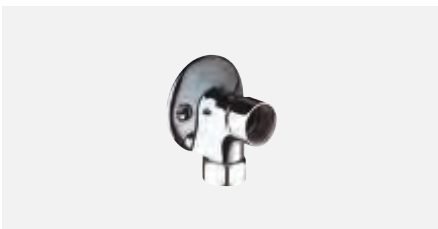
- Hygienic washbasin waste M1¼".
- **Concave grid** (no water retention).
- **Free flow, with no central screw** (reduces residue build-up).
- **Pre-scored waste:** snap-off sections can be removed for models with overflow.
- Polished chrome-plated stainless steel grid, chrome-plated ABS body.
- **Can adapt to any material and size of washbasin or sink.**
- Can be tightened to a minimum of 1mm or maximum of 65mm.



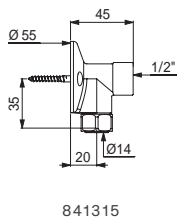
HYGIÉNA waste	611
----------------------	------------

Reinforced exposed connector

For M½" stopcocks

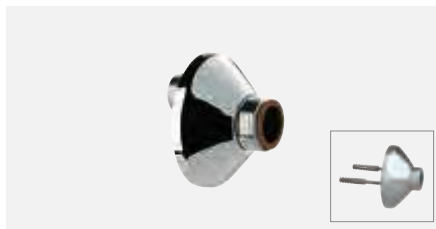


- Chrome-plated brass exposed connector.
- Ø 14mm back nut.
- MF½".
- Fixed by 2 screws (supplied).

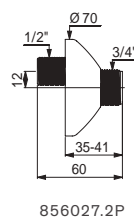


Reinforced exposed connector	841315
-------------------------------------	---------------

Wall-mounted connectors



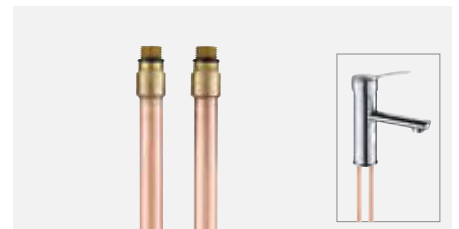
- Chrome-plated connectors Ø 70mm, L. 60mm or 36 mm for wall-mounted mixers.
- 2 per pack.



Wall-mounted connectors	
Offset standard connectors, L. 60mm	856027.2P
In-line fast-fix connectors, L. 36mm	845527.2P
Other models available on request	

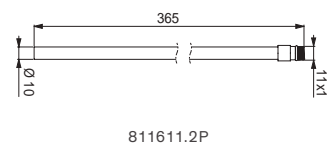
Copper tails

To supply mixers and taps



- Soft-tempered copper tails.
- Can be installed instead of PEX flexibles.
- Better conductors than flexibles.
- More effective for thermal shocks.
- 2 per pack.

Pro tip: don't forget to include non-return valves on the copper tubes if the PEX flexibles to be replaced have integral non-return valves. Contact our Technical team for further information.



Copper tails	
M10 x L. 365mm	811610.2P
M11 x L. 365mm	811611.2P

DELABIE / Group thermostatic mixing valves



- **Anti-scalding failsafe:** immediate shut-off if cold water supply fails
- **Comfort:** regulation of temperature variations for a constant temperature stability at the point-of-use
- **Installation:** upstream of taps and valves

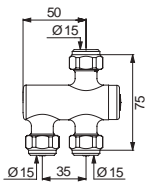
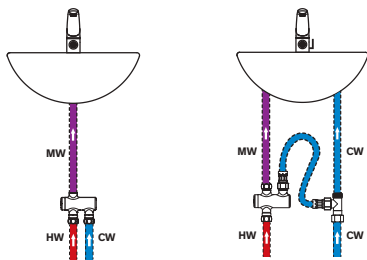
PREMIX NANO

Thermostatic mixing valve

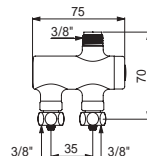


- Thermostatic mixing valve for mixed water distribution.
- **For 1 or 2 taps or 1 shower.**
- **Anti-scalding failsafe:** shuts off automatically if cold or hot water supply fails.
- Temperature pre-set at 38°C, can be adjusted by the installer from 34 - 60°C.
- **Integrated non-return valves and filters.**
- Minimum flow rate for operation: 3 lpm.
- **Thermal shocks are possible.**

Buildcert Approval no. BC1430/0814
WRAS no. 1409058



732115/732116



732012/732016

PREMIX NANO (KV 7 lpm)

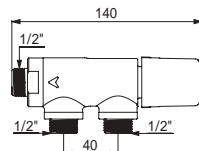
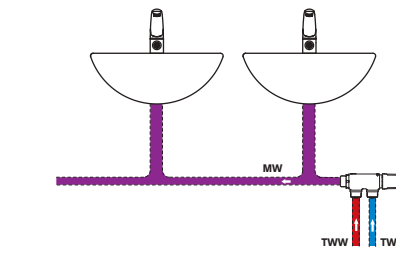
Nickel-plated body, FM $\frac{3}{8}$ "	732012
Polished chrome body, FM $\frac{3}{8}$ "	732016
Nickel-plated body M $\frac{1}{2}$ ", Ø 15mm	732115
Polished chrome body M $\frac{1}{2}$ ", Ø 15mm	732116

PREMIX COMPACT

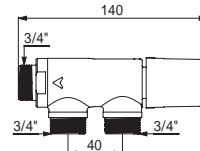
Thermostatic mixing valve



- Thermostatic mixing valve for mixed water distribution.
- **For 2 - 10 sanitary points-of-use (depending on the flow rate).**
- **Anti-scalding safety:** shuts off automatically if cold water supply fails.
- Adjustable temperature from 30 - 60°C, can be blocked by the installer.
- **Non-return valves and filters.**
- Minimum flow rate for operation: 5 lpm.
- **Thermal shocks are possible.**



733016



733021

M $\frac{1}{2}$ " for 2 to 7 valves (KV 19 lpm)

Rough finish with blue control cap	733015
Chrome-plated body and control cap	733016

M $\frac{3}{4}$ " for 2 to 10 valves (KV 23 lpm)

Rough finish with blue control cap	733020
Chrome-plated body and control cap	733021

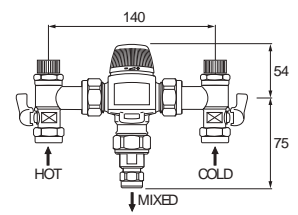
ECONOMIX

Thermostatic mixing valve

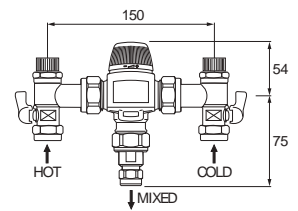


- Thermostatic mixing valve for mixed water distribution.
- **For up to 4 taps** (depending on the model).
- **Anti-scalding safety:** shuts off automatically if cold or hot water supply fails.
- Temperature pre-set at 43°C.
- **Non-return valves and stainless steel mesh strainers included on Combi model.**
- Minimum flow rate for operation: 4 lpm.
- Recommended pressure: 0.2 - 5 bar.
- **Thermal shocks are possible.**

WRAS no. 1103004



993615



993622

ECONOMIX Combi

15mm 15/3 Combi	993615
22mm 22/3 Combi	993622

ECONOMIX Standard

15mm 15/3	983615
22mm 22/3	983622



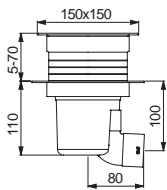
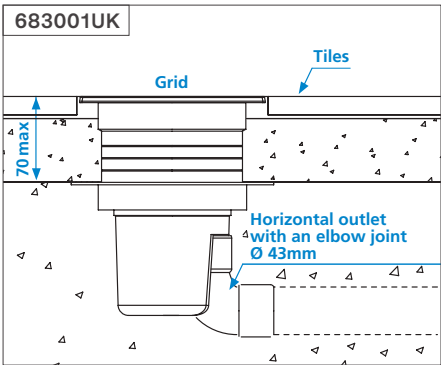
• **Vandal-resistant:** tamperproof stainless steel grid and screw fixings

Adjustable height floor trap

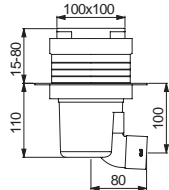
For tiled or concrete floors



- **Flow rate 36 lpm (meets European standard).**
- **Water level 50mm.**
- **Bright polished stainless steel plate and grid.**
- **Horizontal or vertical outlet** integrated into the height of the floor trap (saves height and space in all dimensions).
- Integrated waterproof plate to seal waterproof membrane.
- Withstands high temperatures: 60°C continuous, 85°C peak.
- Plunger with handle: easy to grip and easy to clean.
- Smooth PVC body.
- Classified non-flammable (American certification UL94).
- **Height adjusts up to 70 or 80mm** with extension.
- Grid fixed with 2 stainless steel screws.



683001UK



682001UK

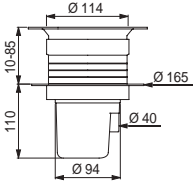
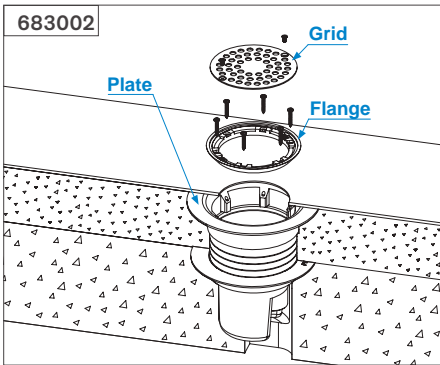
Floor trap for tiled or concrete floors	
150 × 150mm, Ø 40mm	683001
150 × 150mm, Ø 43mm	683001UK
100 × 100mm, Ø 40mm	682001
100 × 100mm, Ø 43mm	682001UK

Adjustable height floor trap

For soft or vinyl floors



- **Flow rate 36 lpm (meets European standard).**
- **Water level 50mm.**
- **Bright polished stainless steel plate and grid.**
- **Horizontal or vertical outlet Ø 40mm** integrated into the height of the floor trap (saves height and space in all dimensions).
- Integrated waterproof plate to seal waterproof membrane.
- Withstands high temperatures: 60°C continuous, 85°C peak.
- Plunger with handle: easy to grip and easy to clean.
- Smooth PVC body.
- Classified non-flammable (American certification UL94).
- **Height adjusts up to 85mm** with extension.
- Grid fixed with 2 stainless steel screws.



683002

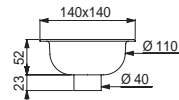
Floor trap for soft/vinyl floors Ø 114mm	683002
--	---------------

Floor trap

For tiled or concrete floors



- Brass body 140 × 140mm.
- **Flow rate 18 lpm.**
- **Water level 18mm.**
- **Vertical outlet Ø 40mm** (provide an elbow for horizontal outlets).
- PVC bell.
- Grid fixed with 1 stainless steel screw.



684000

Floor trap 140 × 140mm	684000
------------------------	---------------

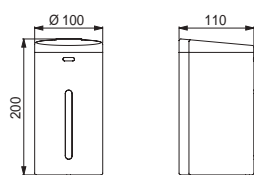
ADDITIONAL FITTINGS

Electronic soap dispenser

Wall-mounted



- **No manual contact:** infrared sensor detects hands automatically (detection range can be adjusted).
- **No waste pump dispenser:** 0.8ml dose (can be adjusted up to 7 doses per operation).
- Power supply: supplied with 6 AA-1.5V (DC9V) batteries integrated in the body of the soap dispenser.
- With lock.
- Level control window.
- Low battery indicator light.
- Bright polished 304 stainless steel body and mounting bracket.
- Capacity: 0.65 litre.
- For vegetable-based liquid soap with maximum viscosity of 3,000 mPa.s.
- CE marked.



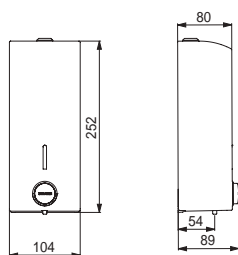
510587

Liquid soap dispenser

With soft-touch operation



- **Vandal-resistant model with lock.**
- **One-piece hinged cover** for easy maintenance and improved hygiene.
- **Push-button with soft-touch operation.**
- **Anti-blocking:** single dose per press, even if the button is pressed for prolonged periods.
- No waste, non-drip (waterproof) pump dispenser.
- Reservoir prevents the long-term stagnation of soap.
- Level control window.
- Capacity: 1 litre.
- Metal thickness: 1mm.
- Dimensions: 89 × 104 × 252mm.
- For vegetable-based liquid soap with a maximum viscosity of 3,000 mPa.s.



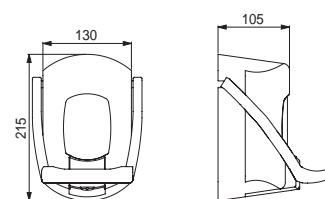
510580

Hypereco liquid soap dispenser

ABS



- Push-button with non-drip system.
- With lock.
- Level control.
- **Capacity: 0.9 litre.**



6712

Electronic soap dispenser	510587
----------------------------------	---------------

Liquid soap dispenser	
Bright polished 304 stainless steel	510580
Polished satin 304 stainless steel	510582
White epoxy coated	510581

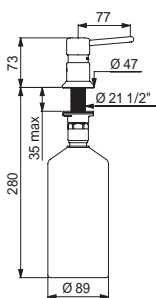
Hypereco liquid soap dispenser	
White ABS	374001
With elbow control	6712

Liquid soap dispenser

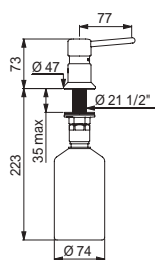
Straight spout – deck-mounted



- Model for deck-mounting on washbasins.
- **Vandal-resistant model.**
- Chrome-plated brass body and push-button.
- **Mechanism can be locked via a grub screw.**
- Top fill (by unscrewing the push-button) or from the lower part (by unscrewing the bottle).
- Models for installation beneath the washbasin (references 729008 and 729508) or for remote tank (reference 729108).



729008

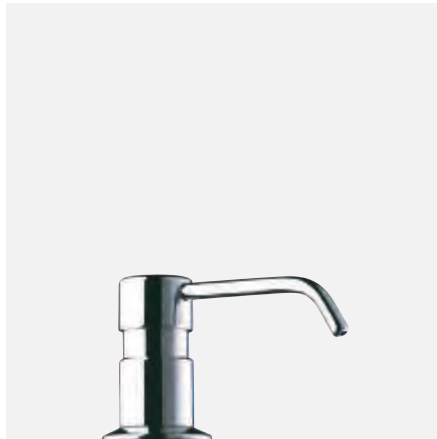


729508

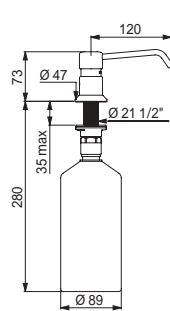
Soap dispenser with straight spout	
With 1 litre bottle	729008
With 0.5 litre bottle	729508
With Rilsan pipe 1.20m	729108

Liquid soap dispenser

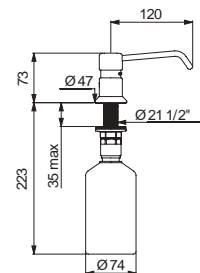
Curved spout – deck-mounted



- Model for deck-mounting on washbasins.
- **Vandal-resistant model.**
- Chrome-plated brass body and push-button.
- **Mechanism can be locked via a grub screw.**
- Top fill (by unscrewing the push-button) or from the lower part (by unscrewing the bottle).
- Models for installation beneath the washbasin (references 729012 and 729512) or for remote tank (reference 729112).



729012



729512

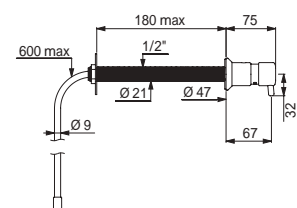
Soap dispenser with curved spout	
With 1 litre bottle	729012
With 0.5 litre bottle	729512
With Rilsan pipe 1.20m	729112

Liquid soap dispenser

For cross wall installation



- Model for cross wall installation for walls up to 180mm.
- **For remote tank** (tank not supplied).
- Chrome-plated brass push-button, with flexible pipe 6/8 L. 1.20m.
- **Mechanism can be locked via a grub screw.**



729150

Cross wall soap dispenser	729150
---------------------------	---------------



Spare parts Certification Reference index

SPARE PARTS

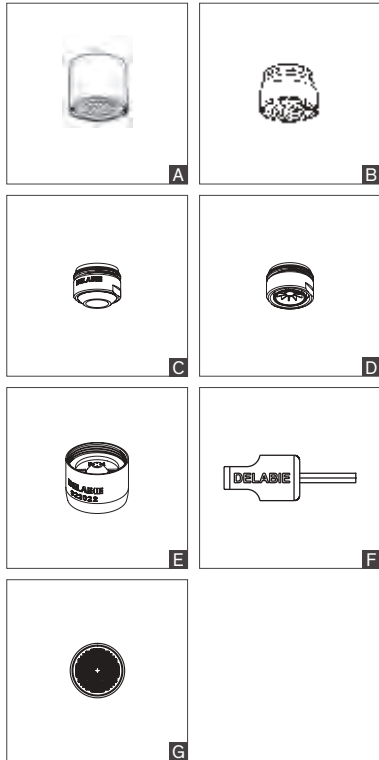
80

CERTIFICATION
& STANDARDS

84

REFERENCE
INDEX

86



Spout outlets

Scale-resistant aerators with brass collar		
F22/100 (5 pieces)	22.5P	A
M24/100 (5 pieces)	24.5P	B
M28/100 (2 pieces)	28.2P	-

Scale-resistant and tamperproof aerators with eco washer		
F22/100 (2 pieces)	925622.2P	A
M24/100 (2 pieces)	925624.2P	B

BIOSAFE outlets (free flow outlets with no grid or partitions in contact with the water) with brass collar		
F22/100 (1 piece)	923022	-
M24/100 (1 piece)	923024	C

Hygienic flow straighteners (star-shaped with no grid: reduces bacterial development) with brass collar		
F22/100 (2 pieces)	921022.2P	-
F22/100 (50 pieces)	921022.50P	-
M24/100 (2 pieces)	921024.2P	D
M24/100 (50 pieces)	921024.50P	D

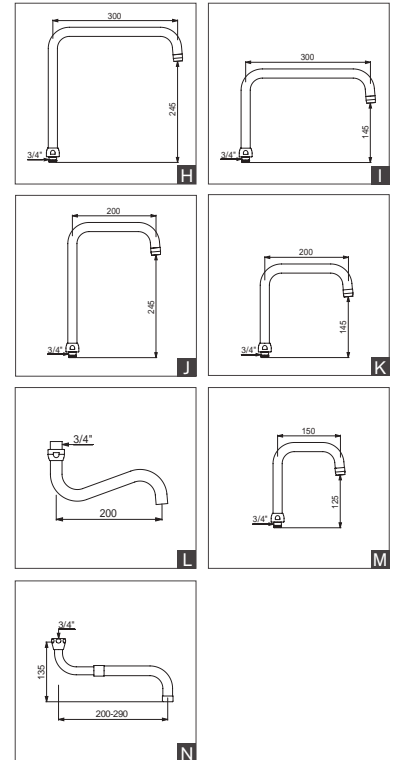
Flow straighteners at 3 lpm (flow rate can be adjusted via 2.5mm Allen key) with brass collar		
F22/100 (2 pieces)	922022.2P	E
M24/100 (2 pieces)	922024.2P	-
2.5mm Allen key	C282025	F

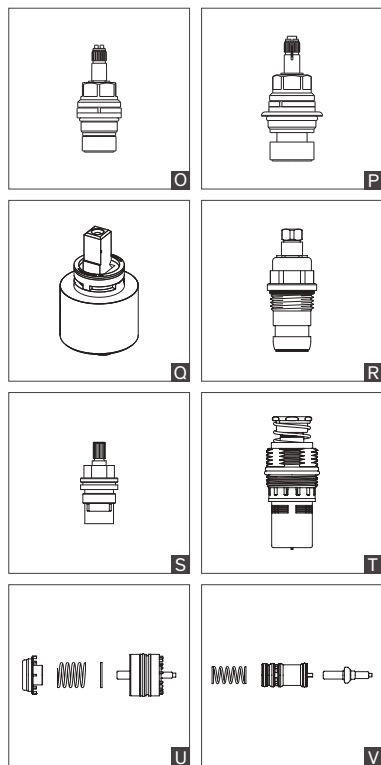
Filters flat washer filter in Nylon, 0.6mm		
For 1/2" nut (10 pieces)	60220.10P	G
For 3/4" nut (10 pieces)	60221.10P	G

Connectors		
Flexible 3/8" - 1/2", L. 1.25m + washers	U834AH85	-
2 connectors with non-return valves, FM3/8"	C151AH75	-
2 connectors with non-return valves, FM1/2"	C291AH75	-

Spouts

Spouts L. 300mm		
Over spout Ø 22mm, H. 245mm		
with 3/4" nut and star-shaped, brass flow straightener	963300245G	-
Over spout Ø 22mm, H. 245mm		
with 3/4" nut and aerator inserted, plus flow straightener	963300245F	H
Over spout Ø 22mm, H. 145mm		
with 3/4" nut and aerator inserted, plus flow straightener	963300145F	I
Spouts L. 200mm		
Over spout Ø 22mm, H. 245mm		
with 3/4" nut, flow straightener set at 3 lpm	963200245F	J
Over spout Ø 22mm, H. 145mm		
with 3/4" nut and aerator inserted, plus flow straightener	963200145F	K
Over spout Ø 22mm, H. 145mm		
with 3/4" nut and BIOSAFE outlet	963200923F	-
Under spout Ø 22mm, H. 117mm		
with 3/4" nut and star-shaped, brass flow straightener	943200110	L
Spout L. 150mm		
Over spout Ø 22mm, H. 125mm		
with 3/4" nut and flow straightener set at 3 lpm	963150125F	M
Over spout Ø 22mm, H. 125mm		
with 3/4" nut and BIOSAFE outlet	963150923F	-
Universal telescopic spouts		
Spout L. 200 - 290mm		
with 3/4" nut and star-shaped, flow straightener	966230	N
Spout L. 300 - 470mm		
with 3/4" nut and star-shaped, flow straightener	966380	-




Valves and spare parts for pre-rinse sprays
With valve head, ergonomic control levers (mixers and taps)

Complete valve head - ¼-turn right CW (Ø 22 × 150mm) + control lever	P272AA85	O
Complete valve head - ¼-turn left HW (Ø 22 × 150mm) + control lever	P271AA85	O
Complete valve head - ½-turn right CW (Ø 28 × 150mm) + control lever	P296AA85	P
Complete valve head - ½-turn left HW (Ø 28 × 150mm) + control lever	P295AA85	P

With ceramic cartridge (mixers)

Ø 35mm ceramic cartridge with base for 2506T1, 2506T2, 2506T3 and 25061T1	NS262	-
Ø 40mm ceramic cartridge without base for 2211, 2211L, 2542, 2597 and 2599	N148AA75	Q

With valve head (mixers and taps)

Valve head with no control knob (2 pieces)	366015.2P	R
--	------------------	---

Auto-rewind hose reel

½" ceramic head, ¼-turn right for ref. 5675T2, D275059	P482AJ75	S
--	-----------------	---

Maintenance kits for TEMPOSTOP

	Timing (sec.)	Repair kit	Complete cartridge	Type
745100, 745250, 746000, 748626	7	753005	743005	-
745440, 745450, 748126	7	753005	743305	T
737152, 737202	3	753303	743323	-

Maintenance kits for non-manual contact controls

	Timing (sec.)	Repair kit	Complete cartridge	Type
TEMPOGENOU 734100, 735400, 735447, 73544715	7	753005	743305	T
MIXFOOT 739000, 739100, 739102	-	753739	-	-
MONOFOOT 736001, 736101, 736102	-	753736	-	-

Maintenance kits for soap dispensers

	Repair kit	Complete cartridge	Type
729008, 729108, 729508	729302	729308	-
729012, 729112, 729512	729302	729312	-
729150	729302	729303	-

Maintenance kit for PREMIX COMPACT

Ref. 733015, 733016, 733020, 733021	753733	U
-------------------------------------	---------------	---

Maintenance kit for PREMIX NANO

Ref. 732012, 732016, 732115, 732116	743732	V
-------------------------------------	---------------	---

Maintenance kits for ECONOMIX

	Repair kit	Type
15mm combi angled inlet assembly (2 per pack)	BA9915	-
22mm combi angled inlet assembly (2 per pack)	BA9922	-
15mm inlet assembly with NRV (each)	098020	-
22mm inlet assembly with NRV (each)	098030	-
15mm outlet tail assembly, no NRV (each)	098025	-
22mm outlet tail assembly, no NRV (each)	098035	-

Solenoid valves		
12V MM½" for washbasins	495626	W
12V MM¾" for washbasins	495612	W
6V for TEMPOMATIC (MIX) 3	479647	-
6V for TEMPOMATIC (MIX) 4	479646	X
6V MM½" for TEMPOMATIC (MIX) 1 & 2, BINOPTIC (MIX)	495646	Y
6V MM¾" for TEMPOMATIC (MIX) 1 & 2, BINOPTIC (MIX)	495606	-

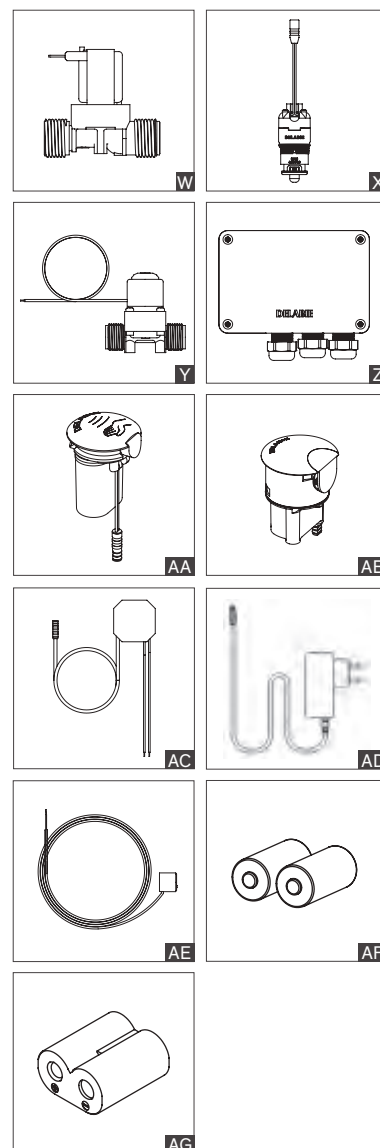
Electronic control units		
230/12V standard with "duty flush" option, with transformer for washbasins	495444BC	Z
6V electronic control unit with integrated battery for TEMPOMATIC (MIX) 3	492446	AA
6V electronic control unit with integrated battery for TEMPOMATIC (MIX) 4	490446	AB
230/12V multifunction with transformer for washbasins	495445BC	Z
6V battery-operated for washbasins	495446BC	Z
12V electronic model TEMPOMATIC (MIX) 4 mains supply	490440	AB

Power supplies		
Recessed supply for TEMPOMATIC (MIX) 4 mains supply	490220	AC
Plug-in supply for TEMPOMATIC (MIX) 4 mains supply	490230	AD
British plug for TEMPOMATIC (MIX) 4 mains supply	490230UK	-

Sensors (the same model for washbasins, mains supply or battery-operated)		
With cable 0.70m	495070	AE
With cable 1.50m	495149	AE
With cable 5.00m	495499	AE
For washbasins: BINOPTIC (MIX) and TEMPOMATIC (MIX) 2, cable 1.20m	CEL378V	-
For washbasins: BINOPTIC (MIX) and TEMPOMATIC (MIX) 2, cable 5.00m	CEL378499V	-

NB : cable can not be extended or cut

Batteries		
2 × 3V 123/CR 17345 Lithium batteries for electronic unit 495446BC	990123	AF
1 × 6V 223/CR – P2 Lithium battery For integrated electronic unit type TEMPOMATIC (MIX) 3 and 4	990223	AG





CE Mark

For electronic controls:
European directives
2004/108/CE
and 2006/95/CE.



NF Mark:

European and French
standards
NF EN 816; NF EN 817;
NF EN 1111.



Buildcert

TMV3 scheme



ISO 9001:2008

by DEKRA.

Other certification:

DELABIE exports
to over 70 countries
worldwide.

WHAT IS THE NF MARK?

The NF Mark affixed on a product attests that the latter complies with the relevant standards and with complementary technical specifications requested by the market, where appropriate.

• SANITARY WATER CONTROLS

The characteristics are specified in the technical documents, prepared with the participation of the manufacturers, the distributors, the consumer associations, the laboratories and the public authorities, fixed by AFNOR Certification and monitored by the "Centre Scientifique et Technique du Bâtiment" (CSTB) (Scientific and Technical Building Centre). CSTB carries out tests on the products and the audits on the companies as part of this application.

WHAT DOES THE NF MARK ACCORD?

> Sanitary water controls

The NF Mark – SANITARY TAPWARE certifies the compliance of products with the certification reference system approved by AFNOR Certification. In particular, this guarantees:

> For thermostatic mixers

- quality of the surface covering;
- interchangeability of valves;
- tightness before and after endurance test;
- intercommunication between cold water and hot water;
- flow rates appropriate to the application;
- behaviour when adjusted;
- adjustment precision;
- adjustment sensitivity;
- mixed water temperature stability depending upon:
 - flow rate variation;
 - pressure variation;
 - hot water temperature variation;
- accuracy;
- safety: cold water shut-off and efficiency of the limit stop;
- mechanical performances;
- wear resistance for the control devices;
- acoustic performances.

> For mechanical mixers

- quality of the surface covering;
- interchangeability of mixer taps;
- tightness before and after endurance test;
- intercommunication between cold water and hot water;
- flow rates appropriate to the application;
- use comfort depending on the sensitivity, the precision and the temperature constancy;
- mechanical performances;
- wear resistance for the control devices;
- acoustic performances.

THE NF MARK IS TO BE FOUND ON WHAT PRODUCTS?

The NF Mark is affixed on the following products:

• SANITARY WATER CONTROLS

- single taps and mixer taps;
- mechanical mixer taps;
- thermostatic mixing valves;
- flow rate regulators;
- shower outlets for sanitary tapware;
- extractable handsprays for sink and washbasin mixer taps;
- shower hoses for sanitary tapware;
- waste fittings;
- automatic shut-off valves;
- stop valves mounted:
 - upstream from sanitary tapware;
 - on a WC flushing cistern;
 - to supply a washing machine;
- multiway selector;
- automatic diverter, Family H, type C;
- electronic opening and closing valve, and specifies the ratings for some of them.

WATER REGULATIONS ADVISORY SERVICE

All sanitary fittings that deliver water from a public mains water supply must comply with the Water Supply (Water Fittings) Regulations (1999) or Scottish Byelaws. These fittings must be of an 'appropriate quality and standard' and must not contaminate the water or cause wastage. Products that are WRAS approved demonstrate this compliance and are recognised by all water suppliers in the UK.

TMV3 SCHEME

The TMV scheme is an independent third party approval scheme administered by Buildcert. The scheme certifies that Type 3 thermostatic mixing valves conform to performance requirements of the NHS specification D08 in Healthcare and Commercial applications in the UK. Buildcert also certifies Type 2 thermostatic mixing valves destined for use in domestic applications to ensure the safe use of hot water in domestic premises.

HYGIENE IN THE WORK PLACE

HM Government 2010 Building Regulations: Sanitation, hot water and water efficiency

Regulation: Part G Schedule 1

G6 A suitable sink must be provided in any area where food is prepared.

6.4 In buildings where the Food Hygiene (England) Regulations 2006 (SI2006/14) and the Food Hygiene (Wales) Regulations 2006 (SI 2006/31 W5) apply, separate hand washing facilities may be needed. This is in addition to any hand washing facilities associated with WCs in accordance with Requirement G4.

6.5 Any sink should discharge through grating, a trap and a branch discharge pipe to an adequate system of drainage.

A guide to good hygiene practices

Facilities for staff should include:

- toilet cubicles;
- a poster reminding users to wash their hands after using the toilet
- washbasins located next to the toilet cubicle.

These washbasins should have running water and appropriate detergent and disinfectants for hands with non-contact controls.

For drying hands either single-use paper towels or automatic, warm air hand dryers should be used.

HYGIENE IN CATERING ESTABLISHMENTS

Regulation (EC) No. 852/2004 of the European Parliament and of the Council of 29 April 2004

The regulations apply to any 'business operating in the food sector', i.e. 'the person morally or legally responsible for ensuring compliance with the requirements of legislation in the food industry'

(Regulation 178/2002 of 28 January 2002 - Art. 3).

Its requirements for all buildings include:

"An adequate number of flush lavatories are to be available and connected to an effective drainage system. Lavatories are not to open directly into rooms in which food is handled."

"An adequate number of washbasins (...) for cleaning hands (...) provided with hot and cold running water, materials for cleaning hands and for hygienic drying. Where necessary, the facilities for washing food are to be separate from the hand washing facility."

"...floors are to allow adequate surface drainage;"

And finally,

"Every sink (...) provided for the washing of food is to have an adequate supply of hot and/or cold potable water (...) and be kept clean and, where necessary, disinfected."

REF.	DESCRIPTION	P.	REF.	DESCRIPTION	P.
0211030003	GENOU wall mtd hand wash right tap hole Ø22 304 st steel sat	61	440100	TEMPOMATIC 4, basin tap F3/8" recessed mains supply 230/12V	45
0810100000	ILHA free standing water fountain H915 304 st steel satin	62	440101	TEMPOMATIC 4, basin tap F3/8" mains supply plug 230/12V	45
0811080000	SD wall mounted water fountain 304 stainless steel satin	62	440106	TEMPOMATIC 4 basin tap F3/8" integrated 6V battery	44
098020	Inlet assembly kit, 15mm with NRV	78	441157	TEMPOMATIC cross wall 155 basin tap mains 230/12V spout L170	55
098025	Tail assembly kit, 15mm Excluding NRV	78	44115715	TEMPOMATIC Ø15 for CF c-w 155 basin tap 230/12V spout L170	55
098030	Inlet assembly kit, 22mm with NRV	78	442006	TEMPOMATIC 3 basin tap F3/8" 6V integrated battery +stopcock	46
098035	Tail assembly kit, 22mm Excluding NRV	78	44200615	TEMPOMATIC 3 basin tap M1/2" 6V battery 15mm + stopcock	46
1306T1	Tubular swivel spout Ø22 H140 L150	37	442106	TEMPOMATIC 3 basin tap F3/8" 6V integrated 6V battery	46
1306T2	Tubular swivel spout Ø22 H260 L200	37	443006	TEMPOMATIC 3 wall mounted basin tap M1/2" 6V battery L190	47
1306T3	Tubular swivel spout Ø22 H260 L300	37	443406	TEMPOMATIC 4 wall mounted basin tap M1/2" 6V battery L125	44
1316	Swivel column with retractable spray, H250 L220mm	35	443426	TEMPOMATIC 4 basin tap M1/2" 6V battery L125 panels 1-24mm	44
204001	Deck mounted fixed spout M1/2" L150 H170 Ø16 FS 3lpm	37	443506	TEMPOMATIC 4 wall mounted basin tap M1/2" 6V battery L190	44
22.5P	5 × Scale proof aerator F22/100	76	443526	TEMPOMATIC 4 tap M1/2" 6V battery L190 for panels 1-24mm	44
220000	*Deck mtd swiv spout L150 H140 Ø16 (while stock then 1306T1)	-	444000	TEMPOMATIC 2 basin tap M3/8" mains 230/12V + transformer	51
2211	Mech sink mixer swivel spout/ret. spray H105mm, sculpt lever	35	44400015	TEMPOMATIC 2 basin tap Ø15 for CF mains 230/12V + transfo	51
2211L	Mech sink mixer swivel spout/ret spray H105mm Hygiene lever	35	444006	TEMPOMATIC 2 basin tap M3/8" 6V battery	50
24.5P	5 × Scale proof aerator M24/100	76	44400615	TEMPOMATIC 2 basin tap Ø15 compression fitting 6V battery	50
25061T1	Basin mixer with swivel spout H200 L150mm, no waste	30	445000	TEMPOMATIC basin tap M3/8" mains 230/12V + transformer	53
2506T1	Basin mixer with swivel spout H200 L150mm, with waste	30	44500015	TEMPOMATIC basin tap Ø15 comp. fit mains 230/12V +transfo	53
2506T2	Sink mixer with swivel spout H220 L200mm, no waste	30	445006	TEMPOMATIC basin tap M3/8" 6V battery	52
2506T3	Mixer with swivel spout H330 L300mm, no waste	30	44500615	TEMPOMATIC basin tap Ø15 for compression fitting 6V battery	52
2542	Mechanical shower mixer with remote control, sculpt lever	35	445253	TEMPOMATIC PRO basin tap M3/8" 230/12V with swivel spout	54
2597	Mechanical mixer swivel spout H210 L190mm retractable spray	35	44525315	TEMPOMATIC PRO basin tap Ø15 for CF 230/12V with swivel spout	54
2599	Mixer + column retractable spray H250, sculptured lever	35	445257	TEMPOMATIC PRO basin tap M3/8" 6V batt. with swivel spout	54
28.2P	2 × Scale proof aerator M28/100	76	44525715	TEMPOMATIC PRO basin tap Ø15 for CF 6V batt. with swivel spout	54
311QU1	Swan neck fountain tap M3/8"	63	447106	Discontinued	-
311TR1	Swan neck fountain tap for Rilsan tube 4×6	63	478015	BINOPTIC basin tap M3/8" 6V battery	48
312QU1	Bubbler tap chromed M3/8" for fountain	63	47801515	BINOPTIC basin tap Ø15 for compression fitting 6V battery	48
312TR1	Bubbler tap chromed for Rilsan tube 4×6	63	478MCH	BINOPTIC MIX basin mixer M3/8" 6V battery	48
314000	*Discharge waste 1" for pipe with internal Ø20 (while stock)	-	478MCH15	BINOPTIC MIX basin mixer Ø15 compression fittings 6V battery	48
318300	Cross wall bubbler L300	63	478MCHLH	BINOPTIC MIX basin mixer M3/8" 6V battery, LH	-
318Q12	Discontinued	-	479646	Solenoid valve 6V for TEMPOMATIC 4	79
319T61	Push button for fountain taps for Rilsan tube 4×6	63	479647	Solenoid valve 6V for TEMPOMATIC 3	79
3410300003	SXL hand wash free standing right hole Ø22 304 st steel sat	60	490000	TEMPOMATIC MIX 4, basin mix F3/8"rec mains supply +stopcocks	45
3410300103	SXL hand wash free standing right hole Ø22 304 pol st steel	60	49000015	TEMPOMATIC MIX 4 basin M1/2" rec mains supply Ø15 stopcocks	45
3411310003	SXS hand wash wall mtd right tap hole Ø22 304 st steel satin	61	490000LH	TEMPOMATIC MIX 4, basin mix F3/8"rec mains + stopcocks LH	-
3411310103	SXS hand wash wall mtd right tap hole Ø22 304 pol st steel	61	490001	TEMPOMATIC MIX 4, basin mix F3/8" mains plug + stopcocks	45
366015.2P	2 × DELABIE water free "LONG LIFE" valve head 1/2"	78	49000115	TEMPOMATIC MIX 4 basin M1/2" rec UK mains plug Ø15 stopcocks	45
374001	Hypereco liquid soap dispenser 0.9L white ABS	72	490001LH	TEMPOMATIC MIX 4, basin mix F3/8" mains plug +stopcocks LH	-
378015	BINOPTIC basin tap M3/8" mains 230/12V + trans	48	490006	TEMPOMATIC MIX 4 basin mixer F3/8" 6V battery + stopcocks	44
37801515	BINOPTIC basin tap Ø15 for comp. fitting 230/12V + trans	48	49000615	TEMPOMATIC MIX 4 basin mix M1/2" 6V battery 15mm +stopcocks	44
378MCH	BINOPTIC MIX basin mixer M3/8" mains 230/12V + trans	48	490006LH	TEMPOMATIC MIX 4 basin mixer F3/8" 6V battery +stopcocks LH	-
378MCH15	BINOPTIC MIX basin mixer Ø15 for CF mains 230/12V + trans	48	490100	TEMPOMATIC MIX 4, basin mixer F3/8" rec mains supply 230/12V	45
379D13	BINOPTIC c-wall 190 basin tap M3/8"spout L135 mains + trans	49	490100LH	TEMPOMATIC MIX 4, basin mix F3/8"rec mains supply 230/12V LH	-
379D1315	BINOPTIC c-w 190 basin tap Ø15 for CF spout L135 mains +trans	49	490101	TEMPOMATIC MIX 4, basin mixer F3/8" mains plug 230/12V	45
379DER	BINOPTIC c-wall 190 basin tap M3/8"spout L205 mains + trans	49	490101LH	TEMPOMATIC MIX 4, basin mixer F3/8" mains plug 230/12V, LH	-
379DER15	BINOPTIC c-w 190 basin tap Ø15 for CF spout L205 mains +trans	49	490106	TEMPOMATIC MIX 4 basin mixer F3/8" with int 6V battery	44
379ENC	BINOPTIC rec basin tap M3/8" spout L200 mains + trans	49	490106LH	TEMPOMATIC MIX 4 basin mixer F3/8" with int 6V battery + LH	-
379ENC15	BINOPTIC rec basin tap Ø15 for CF spout L200 mains + trans	49	490220	Recessed supply for TEMPOMATIC 4 basin	79
379MCH	BINOPTIC MIX c-wall 110 basin mix M3/8" mains 230/12V +trans	49	490230	European electrical plug for TEMPOMATIC 4 basin	79
379MCH15	BINOPTIC MIX c-wall 110 basin mix Ø15 for CF mains + trans	49	490230UK	British plug for mains supply for TEMPOMATIC 4 basin	79
379MCHL	BINOPTIC MIX c-wall 110 basin M3/8" mains +trans long lever	49	490440	Electronic control unit for TEMPOMATIC 4 mains	79
433000	White trigger hand spray M1/2" + scale-proof adjustable jet	18/68	490446	Electronic control unit 6V battery operated for TEMPOMATIC 4	79
433010	Black trigger hand spray M1/2" + scale-proof adjustable jet	18/68	492006	TEMPOMATIC MIX 3 basin mix F3/8" int 6V battery + stopcocks	46
433015	Discontinued	-	49200615	TEMPOMATIC MIX 3 basin mix M1/2" 6V battery Ø15 +stopcocks	46
433020	Pre-rinse set no valve + long column F3/4"	17	492106	TEMPOMATIC MIX 3 basin mixer F3/8" int 6V battery	46
433038	Stainless steel spring guide for pre rinse set	19	492106LH	TEMPOMATIC MIX 3 basin mixer F3/8" int 6V battery + LH lever	-
433095	White food grade hose FF1/2" L0.95m	19	492446	Electronic control unit 6V battery operated for TEMPOMATIC 3	79
433095CH	Black food grade hose FF1/2" L0.95m	19	492646	Solenoid vlv for TEMPOMATIC 3 basin (while stk then 479647)	-
433120	White food grade hose FF1/2" L1.20m	19	494000	TEMPOMATIC MIX 2 basin mix M3/8" mains 230/12V + transformer	51
433120CH	Black food grade hose FF1/2" L1.20m	19	49400015	TEMPOMATIC MIX 2 basin mix Ø15 for CF mains 230/12V + trans	51
433200	White food grade hose FF1/2" L2.00m	19	494000LH	TEMPOMATIC MIX 2 basin mixer M3/8" 230/12V + LH lever	-
433215	Discontinued	-	494006	TEMPOMATIC MIX 2 basin mixer M3/8" 6V battery	50
433220	Pre-rinse set no valve + telesc spout + long column F3/4"	17	49400615	TEMPOMATIC MIX 2 basin mixer Ø15 comp. fitt. 6V battery	50
433420	Pre-rinse set no valve + short column F3/4"	17	494006LH	TEMPOMATIC MIX 2 basin mixer M3/8" 6V battery + LH lever	-
433422	Pre-rinse set no valve + telesc spout + short column F3/4"	17	495000	TEMPOMATIC MIX basin mixer M3/8" mains 230/12V + transformer	53
440000	TEMPOMATIC 4, basin tap F3/8" rec mains 230/12V + stopcock	45	49500015	TEMPOMATIC MIX basin mixer Ø15 for CF mains 230/12V + transf	53
44000015	TEMPOMATIC 4 basin tap M1/2" rec mains supply Ø15 +stopcock	45	495006	TEMPOMATIC MIX basin mixer M3/8" with 6V battery	52
440001	TEMPOMATIC 4, basin tap F3/8" mains plug 230/12V + stopcock	45	49500615	TEMPOMATIC MIX basin mixer Ø15 comp. fitt. with 6V battery	52
44000115	TEMPOMATIC 4 basin tap M1/2" rec UK mains plug Ø15 stopcock	45	495070	TEMPOMATIC detector with cable L0.7m	79
440006	TEMPOMATIC 4 basin tap F3/8" int. 6V battery + stopcock	44	495149	TEMPOMATIC detector with cable L1.50m	79
44000615	TEMPOMATIC 4 basin tap M1/2" 6V battery 15mm + stopcock	44	495253	TEMPOMATIC MIX PRO basin mix M3/8" 230/12V with swivel spout	54

References prefixed by * are available while stocks last. References are listed in ascending numerical order.

REF.	DESCRIPTION	P.
49525315	TEMPOMATIC MIX PRO basin mix Ø15 for CF 230/12V swivel spout	54
495257	TEMPOMATIC MIX PRO basin mix M3/8" 6V batt. with swivel spout	54
49525715	TEMPOMATIC MIX PRO basin mix Ø15 for CF 6V batt. swivel spout	54
495444BC	Standard electronic control unit 230/12V with duty flush	79
495445BC	Multifunction elect control unit 230/12V for TEMPOMATIC	79
495446BC	Electronic control unit 6V battery operated for TEMPOMATIC	79
495499	TEMPOMATIC detector with cable L5m	79
495606	Solenoid vlv M3/8" 6V + filter for TEMPOMATIC, BINOPTIC basin	79
495612	Solenoid valve M3/8" 12V with filter for TEMPOMATIC basin	79
495626	Solenoid vlv M1/2" 12V + filter for TEMPOMATIC basin/urinal	79
495646	Solenoid vlv M1/2" 6V with filter for TEMPOMATIC and BINOPTIC	79
510580	Liquid soap dispenser 1L polished 304 stainless steel	72
510581	Liquid soap dispenser 1L white epoxy (monobloc)	72
510582	Liquid soap dispenser 1L 304 stainless steel satin finish	72
510587	Electronic liquid soap dispenser	72
515	Base with retractable spray head	-
5445T2S	Twin hole wall mtd sink mixer swivel underspout L200	33
5603	Pillar mtd twin hole mixer 100lpm swivel spout Ø22 L300 H380mm	27
5610	Deck mtd single hole mixer 100lpm swivel spout Ø22 L300 H315	26
5612	Deck mtd single hole mixer 100lpm swivel spout Ø22 L300 H560mm	27
5625	Pre-rinse set with single hole mixer + swivel spout Ø22 L200	8
5625120	Pre-rinse set 5625 with flexible L 1.20m	-
5625120CH	Pre-rinse set 5625 with black flexible L 1.20m	-
5626	Pre-rinse set with black hose single hole mixer no bib tap	8
5630	Pre-rinse set black hose single hole mix vlv head no bib tap	10
5632	Pre-rinse set single hole mix ctrl knob swivel spt Ø22 L200	10
5632120	Pre-rinse set 5632 with flexible L 1.20m	-
5632120CH	Pre-rinse set 5632 with black flexible L 1.20m	-
5633	Pre-rinse set w twin hole mix c-c 150 +swivel spout Ø22 L200	12
5634	Pre-rinse set w black hose wall mtd + swivel spout Ø22 L200	14
5634120	Pre-rinse set 5634 with flexible L 1.20m	-
5634120CH	Pre-rinse set 5634 with black flexible L 1.20m	-
5636	Pre-rinse set with black hose wall mounted mixer no bib tap	14
5640T2	Single hole deck mtd mixer 45lpm, swivel tube spout Ø22 L200	28
5640T3	Single hole deck mtd mixer 45lpm, swivel tube spout Ø22 L300mm	28
5641T2	Twin hole deck mtd mixer 45lpm, swivel tube spout Ø22 L200mm	29
5641T3	Twin hole deck mtd mixer 45lpm, swivel tube spout Ø22 L300mm	29
5645T2	Wall mtd mixer 45lpm, swan neck swivel underspout Ø22 L200mm	32
5645T3	Discontinued	-
5647T2	Wall mtd mixer 45lpm, swan neck swivel overspout Ø22 L200mm	32
5647T3	Wall mtd mix 45lpm, swan neck swivel overspout Ø22 L300mm	32
5675T2	Steel auto rewind hose reel, flexible L20m + spray head	65
5680	Pre-rinse set with twin hole mixer c-c 150mm no bib tap	12
581000	On/Off washbasin waste 1 1/4" stainless steel valve	19/69
60220.10P	10 × Flat filter 0.6 for nut F1/2"	76
60221.10P	10 × Flat filter 0.6 for nut F3/4"	76
611	HYGIENA waste 1 1/4" concave grid, adaptable slotted lantern	19/47
61101	*HYGIENA waste 1 1/4" no overflow (while stock then ref 611)	-
6692	Pre-rinse set with single hole mixer + telescopic spout L200-290	9
6693	Pre-rinse set with white hose single hole mixer no bib tap	9
6712	Hyperco liquid soap dispenser elbow control 0.9L white ABS	72
682001	Floor trap 100x100 hard floors adj H integrated outlet Ø40	71
682001UK	Floor trap 100x100 hard floors adj H horiz elbow outlet Ø43	71
683001	Floor trap 150x150 hard floors adj H integrated outlet Ø40	71
683001UK	Floor trap 150x150 hard floors adj H horiz elbow outlet Ø43	71
683002	Floor trap st steel grid Ø114 vinyl floors integ. outlet Ø40	71
684000	Floor trap with grid 140x140 - vertical outlet Ø40	71
729008	Soap dispenser straight spout 1L bottle, chromed brass	73
729012	Soap dispenser curved spout 1L bottle, chromed brass	73
729108	Soap dispenser straight spout, tube L1200, chromed brass	73
729112	Soap dispenser curved spout, tube L1200, chromed brass	73
729150	Wall mounted soap dispenser cross wall 180, chromed	73
729302	Maintenance kit for soap dispenser type 729150/729012	78
729303	Cartridge for soap dispenser type 729150/729012	78
729308	Cartridge for soap dispenser type 729008	78
729312	Cartridge for soap dispenser type 729012	78
729508	Soap dispenser straight spout 0.5L bottle, chromed brass	73
729512	Soap dispenser curved spout 0.5L bottle, chromed brass	73
732012	PREMIX NANO thermostatic mixer FM3/8" nickel body	47/70
732016	PREMIX NANO thermostatic mixer FM3/8" chromed body	47/70
732115	PREMIX NANO thermostatic mixer 1/2" nickel body	47/70
732116	PREMIX NANO thermostatic mixer 1/2" chromed body	47/70

REF.	DESCRIPTION	P.
732216	PREMIX NANO thermostatic mixer 3/8" chromed body	-
732515	Connection kit PEX L300 for PREMIX NANO 732216	-
733015	PREMIX COMPACT thermostatic mixer M1/2" rough cast body	70
733016	PREMIX COMPACT thermostatic mixer M1/2" chromed body	70
733020	PREMIX COMPACT thermostatic mixer M3/4" rough cast body	70
733021	PREMIX COMPACT thermostatic mixer M3/4" polished chrome body	70
734100	TEMPOGENOU angled MM1/2" lever L350 ~7sec	56
735400	TEMPOGENOU inline MM1/2" lever L350 ~7sec	56
735447	TEMPOGENOU inline MM1/2", lever L350 ~7sec comp. fittings	56
73544715	TEMPOGENOU inline MM1/2", lever L350 ~7sec comp fit + olives	56
736001	MONOFOOT floor mounted pedal operated valve MM1/2" stud nut	57
736101	MONOFOOT floor mounted pedal operated vlv MM1/2" without nut	57
736102	MONOFOOT wall mounted pedal operated vlv MM1/2" without nut	57
737152	TEMPOSTOP pillar basin tap M1/2" swan neck spout lever L150	31
737202	TEMPOSTOP pillar basin tap M1/2" swan neck spout lever L200	31
739000	MIXFOOT floor mounted pedal operated mixer MM1/2" stud nut	57
739100	MIXFOOT floor mounted pedal operated mixer MM1/2" w-out nut	57
739102	MIXFOOT wall mounted pedal operated mixer MM1/2" without nut	57
743005	TEMPOSTOP basin/urinal cartridge ~7sec time flow	78
743010	TEMPOSTOP basin/shower cartridge ~15sec time flow	-
743305	TEMPOSTOP cross wall/lever basin/urinal cartridge ~7sec	78
743310	TEMPOSTOP cross wall/lever basin/shower cartridge ~15sec	-
743323	TEMPOSTOP cross wall/lever urinal cartridge ~3sec time flow	78
743732	Maintenance kit for PREMIX NANO	78
745100	TEMPOSTOP basin tap M1/2" ~7sec time flow + back nut	64
745250	TEMPOSTOP basin tap M1/2" ~7sec time flow compression fitting	64
745440	TEMPOSTOP lever operated basin tap M1/2" ~7sec	64
745450	TEMPOSTOP lever operated basin tap ~7sec comp fitting Ø15	64
746000	TEMPOSTOP wall mounted basin tap M1/2" ~7sec	64
748126	TEMPOSTOP angled basin tap M1/2" rough cast ~7sec + bk nuts	64
748626	TEMPOSTOP wall mtd basin tap M1/2" ang rough body ~7sec flow	64
753005	Maintenance kit TEMPOSTOP basin/urinal ~7sec time flow	78
753010	Maintenance kit for TEMPOSTOP basin/shower ~15sec time flow	-
753105	Maintenance kit TEMPOSTOP AB basin/urinal ~7sec time flow	-
753303	Maintenance kit TEMPOSTOP basin/urinal ~3sec time flow	78
753733	Maintenance kit for PREMIX COMPACT	78
753736	Maintenance kit for MONOFOOT	78
753739	Maintenance kit for MIXFOOT	78
811610.2P	2 × Copper tails M10 × 1 L365mm	69
811611.2P	2 × Copper tails M11 × 1 L365mm	69
826315	Back-nut F1/2" 4mm thick with 3 screws and washer	36
833T1	Metal flexible for sink hand spray L1.5m + counterweight	69
835T1	Black nylon flexible for sink hand spray L1.5m	69
841315	Chromed backplate elbow MF1/2" with stud nut Ø14	69
845527.2P	2 × Fastfix Connector for walls for pipes Ø15 M3/4"	69
856027.2P	2 × S union M1/2" M3/4" with cover plate, offset 12mm	69
856127.2P	2 × S union M1/2" M3/4" with cover plate, offset 11mm	-
857027.2P	2 × S union M1/2" M3/4" with cover plate, offset 21mm	-
921022.2P	2 × Star shaped flow straightener F22/100	37/76
921022.50P	50 × Star shaped flow straightener F22/100	37/76
921024.2P	2 × Star shaped flow straightener M24/100	37/76
921024.50P	50 × Star shaped flow straightener M24/100	37/76
922022.2P	2 × Eco flow straightener adjustable flow rate F22/100	37/76
922024.2P	2 × Eco flow straightener adjustable flow rate M24/100	37/76
923022	BIOSAFE outlet with collar F22x100	76
923024	BIOSAFE outlet with collar M24x100	76
925622.2P	2 × Scale proof aerators F22 + eco washer	76
925624.2P	2 × Scale proof aerators M24 + eco washer	76
926622.2P	*2 × Vandalproof aerators F22 +eco washer no key (while stock)	-
926624.2P	*2 × Vandalproof aerators M24 +eco washer no key (while stock)	-
941120	Wall mounted fixed L-shaped spout M1/2" L120 - H60 adj FS	36
941202	*Wall mtd fixed L-spout M1/2" L200 FS H58 (while stock)	-
941922	Wall mtd L-shaped spout for panels 1-10mm M1/2" L120 H60 FS	36
942040	Spout for cross wall 30mm M1/2" L75 flow straightener	36
942200	Spout for cross wall 230mm M1/2" L75 flow straightener	36
943200110	Tubular swivel under spout Ø22 L300mm, nut 3/4" and brass FS	18/68
943300110	Tubular swivel under spout Ø22 H.80 L.300mm, nut 3/4"	18/68
947120	Wall mounted fixed spout M1/2" L110 H16 Ø32 adjustable FS	36
947135	Wall mtd fixed spout M1/2" L120 H16 Ø32 adj FS + plate Ø60	36
947151	Fixed spout for walls 165mm M1/2" L120 Ø32 adjustable FS	36
947157	Fixed spout for walls 165mm M1/2" L170 Ø32 adjustable FS	36
947170	Wall mounted fixed spout M1/2" L160 H16 Ø32 adjustable FS	36

References prefixed by * are available while stocks last. References are listed in ascending numerical order.

REF.	DESCRIPTION	P.	REF.	DESCRIPTION	P.
947185	Wall mtd fixed spout M1/2" L170 H16 Ø32 adj FS + plate Ø60	-	D275150	Wall mounted tap M1/2" with swivel spout L150	34
963150125F	Tubular spout Ø22, H.125 L.150mm nut 3/4"	77	D275200	Wall mounted tap M1/2" with swivel spout L200	34
963150923F	Tube swivel spout Ø22 BIOSAFE open flow outlet H125 L150mm	77	D276020	Wall mounted tap for washing machines M1/2", M3/4"	34
963200145F	Tubular swivel overspout Ø22, H.145 L.200mm nut 3/4"	77	E144AG85	Discontinued	-
963200245F	Tube swivel overspout Ø22, H.245 L.200mm nut 3/4"	77	G6432	Pre-rinse set white hose wall mtd mix +telesc spout L200-290	15
963200923F	Tube swivel spout Ø22 BIOSAFE open flow outlet H145 L200mm	77	G6433	Pre-rinse set with white hose wall mounted mixer no bib tap	15
963300145F	Tubular swivel overspout Ø22 H.145 L.300mm, nut 3/4"	77	G6532	Pre-rinse set with mixer c-c 100-240 + telesc spout L200-290	13
963300245F	Tubular swivel overspout Ø22, H.245 L.300mm, nut 3/4"	77	G6533	Pre-rinse set with twin hole mixer c-c 100-240 no bib tap	13
963300245G	Swan neck overspout Ø22 L300 nut 3/4" aerator + brass FS	77	G6552	Pillar tap with control knobs + telescopic spout L 200-290	16
966230	Telescopic swivel spout F3/4" L200-290mm	18/68	G6553	Pillar tap with control knobs no bib tap	16
966380	Telescopic swivel spout F3/4" L300-470mm	18/68	G65602	Deck mtd mixer 100-240 c-c vlv head controls spout L200 H250mm	29
967152	Swivel swan neck spout M1/2" L150 H120 adj flow straightener	37	G65603	Deck mtd mixer 100-240 c-c vlv head controls spout L300 H340mm	29
967202	Swivel swan neck spout M1/2" L200 H200 adj flow straightener	37	G6632	Pre-rinse set single hole mix ctrl knob +telesc spt L200-290	11
981142	Fixed cast spout M1/2" L140 H120 adj flow straightener	37	G663215	Discontinued	-
981148	Replaced by 981142	-	G6633	Pre-rinse set white hose single hole mix ctrl knob no bibtap	11
983615	ECONOMIX 15/3 thermostatic mixing valve	70	G663315	Discontinued	-
983622	ECONOMIX 22/3 thermostatic mixing valve	70	G664415	Discontinued	-
990123	2 x Lithium batteries 3V type 123A for elect unit 495446BC	79	G664515	Discontinued	-
990223	Lithium battery 6V type 223 for units 479446, 490446, 492446	79	G66452	Deck mtd single hole mix 45lpm, tube swivel spout Ø22 L200mm	28
993615	ECONOMIX 15/3 Combi thermostatic mixing	70	G66453	Deck mtd single hole mix 45lpm, tube swivel spout Ø22 L300mm	28
993622	ECONOMIX 22/3 Combi thermostatic mixing	70	G664615	Discontinued	-
BA9915	2 x 15mm Combi angled inlet assembly	78	G664815	Discontinued	-
BA9922	2 x 22mm Combi angled inlet assembly	78	G6679	Wall mtd mixer valve head control + telesc spout L200-290mm	33
C151AH75	2 x Connectors with non-return valve FM3/8"	76	G6681	Discontinued	-
C282025	2.5mm Allen key to adjust flow rate on Eco flow straightener	37/76	N148AA75	Ceramic cartridge Ø40 no base, no flow rate limiter	78
C291AH75	2 x Connectors with non-return valves FM1/2"	76	NS262	Ceramic cartridge Ø35 with base plate	78
C355AA75	*Piston for hand spray trigger pre 03 (while stock)	-	N425AH75	Replaced by NS262	-
C924AH75	* Pack of 2 unions F1/2" F3/8" (while stocks last)	-	P271AA85	Valve head 1/4 right turn Cold Water + lever	78
CEL378499V	Detector + L5m cable for BINOPTIC, TEMPOMATIC 2	79	P272AA85	Valve head 1/4 right turn Cold Water + lever	78
CEL378V	Detector + L1.20m cable for BINOPTIC, TEMPOMATIC 2	79	P295AA85	Valve head 1/2 right turn Cold Water + lever	78
COUD515	Discontinued	-	P296AA85	Valve head 1/2 left turn Hot Water + lever	78
D2553	Pillar tap M1/2" with Long-Life valve head H190 L150	31	P482AJ75	Ceramic head 1/2" 1/4 right turn	78
D273015	Deck mounted tap MM1/2"	34	U834AH75	Discontinued	-
D275049	*Oven cleaner trigger-op, food grade hose L200 (while stock)	-	U834AH85	Flexible 3/8"-1/2" L1.25m + connectors	76
D275059	Oven cleaner w. push button, food grade reinforced hose L125	65			

References prefixed by * are available while stocks last. References are listed in ascending numerical order.

The general terms and conditions are valid for all customers.

ORDERS AND QUOTATIONS:

These will be processed in order of receipt.

All orders sent imply acceptance of our general terms and conditions of sale and customers waive any claims that may arise from clauses in their own documentation which may differ.

The customer agrees to these terms from the moment that we receive their order, which cannot be cancelled. Orders are accepted without obligation to deliver the order in full in one delivery.

Our commercial representatives are not authorised to agree additional terms verbally, or to provide verbal guarantees beyond those provided in the written contract. In the event of default or delayed payment, the Company will be entitled to suspend deliveries or cancel existing orders without any claim for damages from the customer.

In the event of a change in circumstances of the buyer, we reserve the right to cancel existing orders or to demand payment guarantees.

Our quotes do not amount to specifications; specifiers and professional installers are solely responsible for the choice of products according to their intended use, current regulations and recommended guidelines.

PRICE:

Deliveries are invoiced according to the conditions in place at the date of despatch. Prices are given without guarantee and they may be changed without notice subject to fluctuations in costs, VAT or other taxes, according to the prevailing economic conditions.

Price increases will be announced one month prior to their application, and they apply to quotes and orders in hand.

PAYMENTS:

Terms of payments are confirmed when an account is opened, and are dependent on the terms of our credit insurance, and according to each country. We do not give discount for early payment.

In accordance with Article L441-6 of the Commercial Code, any delay in payment will give rise to the following from the first day of delay, regardless of their status with the supplier:

- An interest rate for delayed payment will be applied, equal to the European Central Bank refinancing rate plus 10% (French Law of Modernization of the Economy - LME - No. 2008-776 of 4th August 2008);
- A one-off payment of 40 Euros will apply to cover expenses (European Directive 2011/7 of 16th February 2011, Law 2012-387 of 22nd March 2012, and Decree 2012-1115 of 2nd October, 2012);
- When the recovery costs exceed the amount of the one-off payment, additional compensation will apply where justified.

In the case of late payment, a one-off payment may be required, replacing existing conditions. We will not accept any set off, only our assets have a legal value.

DELIVERY TIMES:

Despatch dates are indicative only and we shall not be liable for any delay or failure in carrying out our obligations where the delay or failure to deliver is caused by risks of manufacturing or where the cause is beyond our control. Delivery delay will not give rise to compensation payment or goods rejection.

SHIPPING:

Orders are sent to our distributors. We do not deliver to site. The buyer assumes responsibility for carriage and packing costs unless otherwise stated in the Incoterms on the invoice accompanying the goods. The goods are always forwarded at the buyer's own risk, whatever the method of transport, even if the carriage is free and special conditions have been granted. The carrier is solely responsible for their delivery, and customers are required to examine the goods, and, in case of goods being damaged, or lost in transit, notify the carrier in writing within 48 hours. A copy of this letter must be addressed to us.

CLAIMS:

No claim will be allowed where the delay in reporting exceeds 8 days following receipt of the goods.

The whole of the delivery cannot be rejected because of partial damages and shortages.

PROPERTY IN GOODS:

Notwithstanding any agreed terms of sale, the goods shall remain the property of the seller until payment is made in full. The failure to meet a payment deadline may result in the reclamation of these goods. The buyer assumes the risks of loss or damage, regardless of the means of delivery, as described in 'DELIVERY TIMES' and 'SHIPPING' above, as well as liability for the damage they might cause.

WARRANTY AND RESPONSIBILITY:

Our products are warranted against any manufacturing defect for a period of 10 years, including electronic controls, excluding other electrical accessories (e.g. hand dryers, etc.) which have a 3-year warranty from the invoice date. This does not apply to products with an expiry date. This warranty is limited to replacement or repair of defective components as determined by our workshops in France but excludes the cost for spoilage, handling and carriage or compensation whatever it is. We are not responsible for handling charges and the cost of returning products to our workshops.

Disasters or major water damage as a result of manufacturing defects are covered by our product and/or public liability insurance.

Our warranty and responsibility does not include the following:

- installation that does not comply with the technical specification or current recommended guidelines;
- worn parts;
- non-compliance with installation, user and maintenance guides;
- other factors independent of our products' quality, for example: detergents or abrasive cleaning products, the action of hard water, foreign bodies (e.g. gravel, sand, iron filings, scale, etc.), chemical and electrolytic phenomenon;
- lack of supervision, poor storage or poor maintenance;
- product modifications or actions by the customer, or a third party, without our authorisation using non-DELABIE components and/or consumable items.
- products past their expiry date.

The water-tightness of connections, joints and the product housing is the responsibility of the professional responsible for installation, and must be guaranteed by them. Warranty excludes joints, valves, washers and rubber seals. However they would be supplied if the warranty application requires them. Any finishes other than chrome or nickel are also excluded from the warranty. In the event that the product has been discontinued or manufacturing methods have changed and replacements are not available, similar alternative products will be offered. Replacement under warranty will not extend the duration of the original warranty.

Legal warranty of latent defects applies in any event.

SPARE PARTS:

Spare parts and mechanisms that are essential to ensure the correct operation of our products will be held in stock for the duration of the guarantee. They are listed at the back of our catalogues.

RETURNS:

Goods may not be returned to us for credit without our prior written approval obtained by the buyer from the Company and they are received in a good state (determined by our goods inwards department). All transportation costs for returned goods must be paid by the buyer. Goods must be returned with good protective packaging.

Deliveries less than a month old will be refunded at the invoiced price. For deliveries older than one month, a deduction will be made for checking, handling and administration costs. A repair and re-stocking fee will apply where appropriate.

Product returns are not permitted in the following circumstances: discontinued products, specially manufactured products, technical or aesthetic evolution of the product since the date of purchase, scratched or damaged products, products purchased more than one year previously, products with an expiry date. If sent to DELABIE, those products outside the scope of returns will be immediately destroyed/recycled, and will not be returned to the customer.

The schedule of standard deductions is as follows:

- return less than 1 month: refund at invoiced price
- return between 1 and 3 months: deduction of 15%
- return between 3 months and 1 year: deduction of 30%
- return after 1 year: no refund possible.

CLEANING - MAINTENANCE:

Clean with slightly soapy water only, using a soft cloth or sponge, rinse and dry thoroughly. Do not use abrasive or chlorine-based products (with a hydrochloric acid base), or dyes.

PHOTOGRAPHS AND DRAWINGS:

All photos, drawings or illustrations are for illustrative purposes only, without contractual obligation, and may be subject to change without notice. We reserve the right to modify designs and dimensions without notice and without recourse. This applies to all references, dimensions, information contained in various documents, catalogues, installation guides, price lists and websites, which can be modified or discontinued at any time without notice.

EXCLUSIVE TERRITORIES:

In most countries throughout the world, our company has entered into exclusive agreements with organisations to import and distribute our products. Within this framework, our clients cannot sell our products outside their national borders without an express prior agreement on our part.

JURISDICTION:

Acceptance of an order delivered from France settles the contract under the French law. All disputes arising from the present contract will be settled definitively by the Court located in the area of our domicile, even in the event of multiple defendants, regardless of the delivery location or stipulated payment. All clauses to the contrary will be considered null by the mere fact of having dealt with our company.

Copy forbidden without our written agreement.